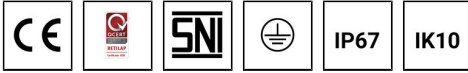


**HARRIER 3 (HA-60296-S)****Product description**

With recessing box / driver - Round - Stainless steel frame

**Luminaire Structure**

- Die-cast aluminium housing
- Pre-treated before powder coating ensuring high corrosion resistance
- 6 mm thick front ring in grade 316 stainless steel or aluminium
- Single cable entry, through wiring upon request
- One cable gland supplied with 1 m of 3x1.0 sqmm outdoor cable

- Stainless steel fasteners in grade 304 with zinc flake coating (ZFC)
- Durable silicone rubber gasket
- Clear toughened glass
- High-efficiency PMMA lens
- Integral control gear

- Recessing box in high-density polyethylene is included
- Suitable for walk-over with a maximum load of 200 kg

**Optic**

VN

**Product colour**

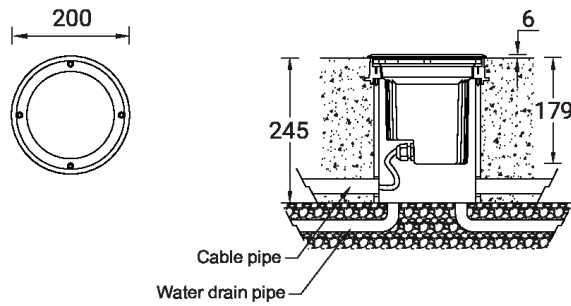
00 - Stainless Steel

**HARRIER 3 (HA-60296-S)**

**Technical information**

<b>Material</b>	Stainless Steel	<b>Optic value</b>	8°	<b>Cable</b>	One cable gland supplied with 1 m of 3x1.0 sqmm outdoor cable
<b>Light source</b>	7 LED	<b>CCT / CRI</b>	3000K CRI80, 4000K CRI80	<b>Through wiring</b>	Single cable entry, through wiring upon request
<b>Power</b>	22 W	<b>Bug</b>	B0-U5-G0	<b>Lens / Reflector / Optic</b>	Clear toughened glass, High-efficiency PMMA lens
<b>Lumen</b>	2234 - 2351 lm	<b>ULR</b>	100%	<b>MacAdam Ellipse</b>	3 SDCM
<b>Efficacy</b>	102 - 107 lm/W	<b>ULOR</b>	100%	<b>Lifetime L90B10 (hours)</b>	> 109,000
<b>Driver option</b>	Integral control gear	<b>Dimming type</b>	On/Off, 1-10V, DALI	<b>Lifetime L80B10 (hours)</b>	> 109,000
<b>Driver</b>	Constant current (CC)	<b>Product colours</b>	Stainless Steel	<b>Lifetime L80B50 (hours)</b>	> 109,000
<b>Input voltage</b>	220-240 V 50/60 Hz	<b>Weight</b>	2.3 kg	<b>Variants (On/Off, 1-10V, DALI)</b>	Compatible with EN/ IEC 60598-2-22: Suitable for emergency installations as central supply, non-maintained (Z0)
<b>Optic</b>	VN	<b>Operating temperature</b>	-20 °C to 50 °C		

HA-60296-S



**Accessories**



Connector IP68 3 Pin Power  
**A62591**



Anti slip glass  
**A60212**



DALI Control System  
**Control-DALI**



Connector IP68 5 Pin Power + Signal  
**A613191**