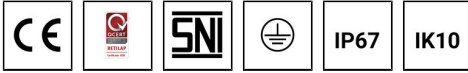


HARRIER 4 (HA-60306-A)



Product description

Integral control gear - With recessing box - Square - Aluminium frame



Luminaire Structure

- Die-cast aluminium housing
- Pre-treated before powder coating ensuring high corrosion resistance
- 6 mm thick front ring in grade 316 stainless steel or aluminium
- Single cable entry, through wiring upon request
- One cable gland supplied with 1 m of 3x1.0 sqmm outdoor cable

- Stainless steel fasteners in grade 304 with zinc flake coating (ZFC)
- Durable silicone rubber gasket
- Clear toughened glass
- High-efficiency PMMA lens
- Integral control gear

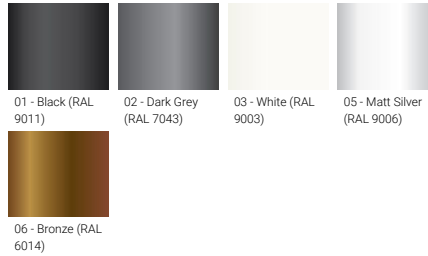
- Recessing box in high-density polyethylene is included
- Suitable for walk-over with a maximum load of 200 kg

Optic

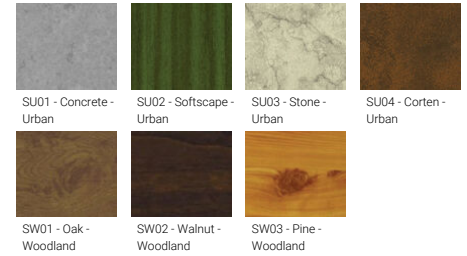


VN

Product colour



Special finishes upon request

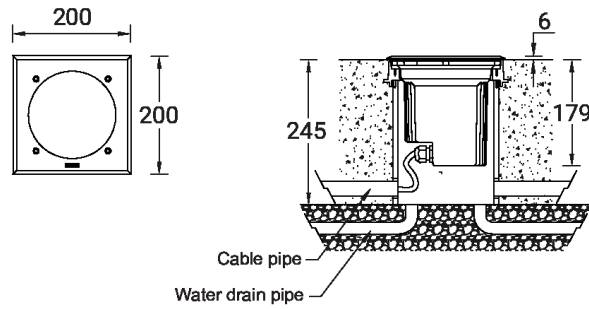


HARRIER 4 (HA-60306-A)

Technical information

Material	Aluminium	Optic value	8°	Cable	One cable gland supplied with 1 m of 3x1.0 sqmm outdoor cable
Light source	7 LED	CCT / CRI	3000K CRI80, 4000K CRI80	Through wiring	Single cable entry, through wiring upon request
Power	22 W	Bug	B0-U5-G0	Lens / Reflector / Optic	Clear toughened glass, High-efficiency PMMA lens
Lumen	2234 - 2351 lm	ULR	100%	MacAdam Ellipse	3 SDCM
Efficacy	102 - 107 lm/W	ULOR	100%	Lifetime L90B10 (hours)	> 109,000
Driver option	Integral control gear	Dimming type	On/Off, 1-10V, DALI	Lifetime L80B10 (hours)	> 109,000
Driver	Constant current (CC)		Black, Dark Grey, White, Matt Silver, Bronze, Concrete - Urban, Softscape - Urban, Stone - Urban, Corten - Urban, Oak - Woodland, Walnut - Woodland, Pine - Woodland	Lifetime L80B50 (hours)	> 109,000
Input voltage	220-240 V 50/60 Hz	Product colours		Variants (On/Off, 1-10V, DALI)	Compatible with EN/ IEC 60598-2-22: Suitable for emergency installations as central supply, non-maintained (Z0)
Optic	VN	Weight	2.1 kg		
		Operating temperature	-20 °C to 50 °C		

HA-60306-A



Accessories



Connector IP68 3 Pin Power
A62591



Anti slip glass
A60212



DALI Control System
Control-DALI



Connector IP68 5 Pin Power + Signal
A613191