

**HARRIER 1 (HA-60385-A)**



**Product description**

With remote box IP-rated / remote driver / recessing box - Round - Aluminium frame



**Luminaire Structure**

- Die-cast aluminium housing
- Pre-treated before powder coating ensuring high corrosion resistance
- 6 mm thick front ring in grade 316 stainless steel or aluminium
- Single cable entry, through wiring upon request

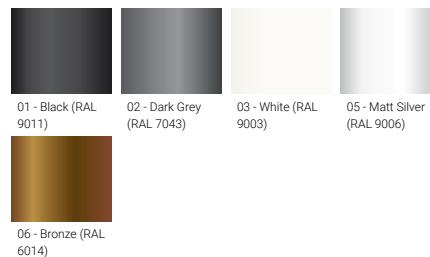
- Stainless steel fasteners in grade 304 with zinc flake coating (ZFC)
- Durable silicone rubber gasket
- Clear toughened glass
- High-efficiency PMMA lens

- Remote driver (included)
- Recessing box in high-density polyethylene is included
- Suitable for walk-over with a maximum load of 200 kg

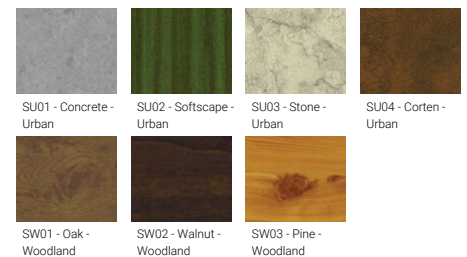
**Optic**



**Product colour**



**Special finishes upon request**

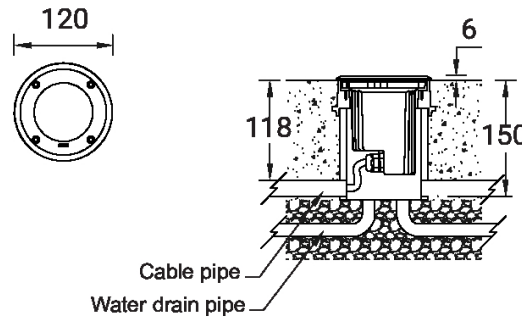


**HARRIER 1 (HA-60385-A)**

**Technical information**

<b>Material</b>	Aluminium	<b>Optic value</b>	24°, 28°, 45°	<b>Through wiring</b>	Single cable entry, through wiring upon request
<b>Light source</b>	3 LED	<b>CCT / CRI</b>	3000K CRI80, 4000K CRI80	<b>Lens / Reflector / Optic</b>	Clear toughened glass, High-efficiency PMMA lens
<b>Power</b>	8 W	<b>Bug</b>	B0-U4-G0	<b>MacAdam Ellipse</b>	3 SDCM
<b>Lumen</b>	531 - 733 lm	<b>ULR</b>	100%	<b>Lifetime L90B10 (hours)</b>	> 120,000
<b>Efficacy</b>	66 - 92 lm/W	<b>ULOR</b>	100%	<b>Lifetime L80B10 (hours)</b>	> 120,000
<b>Driver option</b>	Remote driver (included)	<b>Dimming type</b>	On/Off, 1-10V, DALI	<b>Lifetime L80B50 (hours)</b>	> 120,000
<b>Driver</b>	Constant current (CC)	<b>Product colours</b>	Black, Dark Grey, White, Matt Silver, Bronze, Concrete - Urban, Softscape - Urban, Stone - Urban, Corten - Urban, Oak - Woodland, Walnut - Woodland, Pine - Woodland	<b>Variants (On/Off, 1-10V, DALI)</b>	Compatible with EN/ IEC 60598-2-22: Suitable for emergency installations as central supply, non-maintained (Z0)
<b>Input voltage</b>	700 mA, 9 VDC				
<b>Optic</b>	N, M, W				
		<b>Weight</b>	0.5 kg		
		<b>Operating temperature</b>	-20 °C to 50 °C		

**HA-60385-A**



**Accessories**



Connector IP68 3 Pin Power  
**A62591**



DALI Control System  
**Control-DALI**



Connector IP68 5 Pin Power +  
Signal  
**A613191**