

**HAMILTON1** (HAM-20001-LC)



**Product description**

LIGHTCONNECT™



**LIGHT  
CONNECT™**

**microVOS™**  
TECHNOLOGY

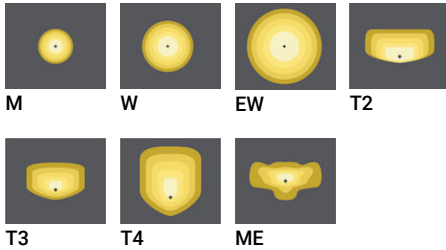
**Luminaire Structure**

- Die-cast aluminium housing
- Pre-treated before powder coating ensuring high corrosion resistance
- Single cable entry
- One IP68 connector supplied with 0.5 m of 3x1.0 sqmm outdoor cable

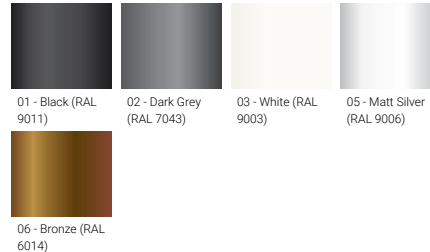
- Stainless steel fasteners in grade 304 with zinc flake coating (ZFC)
- Durable silicone rubber gasket
- Clear toughened glass
- High-efficiency polycarbonate lens

- Integral control gear
- Surge protection 10kV

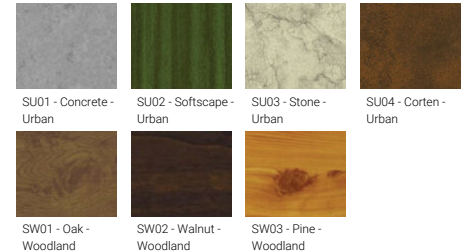
**Optic**



**Product colour**



**Special finishes upon request**

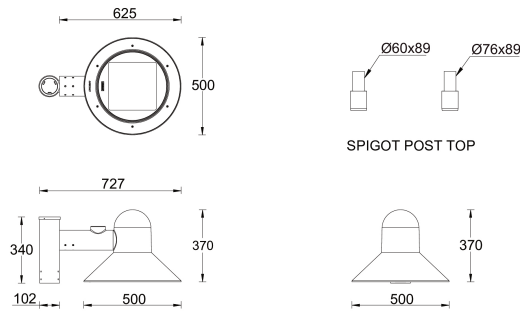


**HAMILTON1** (HAM-20001-LC)

**Technical information**

<b>Material</b>	Aluminium	<b>Optic value</b>	30°, 57°, 110°, 137°x54°, 120°x94°, 103°x70°, 138°x60°	<b>Operating temperature</b>	-20 °C to 50 °C
<b>Light source</b>	24 LED	<b>CCT / CRI</b>	3000K CRI80, 4000K CRI80	<b>Cable</b>	One IP68 connector supplied with 0.5 m of 3x1.0 sqmm outdoor cable
<b>Power</b>	53 W	<b>Bug</b>	B1-U0-G1, B2-U0-G0, B2-U0-G2, B3-U0-G0, B3-U0-G1	<b>Through wiring</b>	Single cable entry
<b>Lumen</b>	6126 - 7027 lm	<b>ULR</b>	0%	<b>Lens / Reflector / Optic</b>	Clear toughened glass, High-efficiency polycarbonate lens
<b>Efficacy</b>	116 - 133 lm/W	<b>ULOR</b>	0%	<b>MacAdam Ellipse</b>	3 SDCM
<b>Driver option</b>	Integral control gear	<b>CIE flux code n°3</b>	97, 98, 99	<b>Lifetime L90B10 (hours)</b>	> 90,000
<b>Driver</b>	Constant current (CC)	<b>Dimming type</b>	DALI	<b>Lifetime L80B10 (hours)</b>	> 90,000
<b>Input voltage</b>	220-240 V 50/60 Hz	<b>Product colours</b>	Black, Dark Grey, White, Matt Silver, Bronze, Concrete - Urban, Softscape - Urban, Stone - Urban, Corten - Urban, Oak - Woodland, Walnut - Woodland, Pine - Woodland	<b>Lifetime L80B50 (hours)</b>	> 90,000
<b>Optic</b>	M, W, EW, T2, T3, T4, ME			<b>Variants (DALI)</b>	Compatible with EN/ IEC 60598-2-22: Suitable for emergency installations as central supply, non-maintained (Z0)
		<b>Weight</b>	14.85 kg.		

HAMILTON 1  
HAM-20001



**Accessories**



Zhaga Book 18 socket (Down)  
**A90991-D**



Zhaga Book 18 socket (Up)  
**A90991-U**



NEMA 7 socket  
**A90891**



DALI Control System  
**Control-DALI**