

HAMILTON4 (HAM-20031-LC)



Product description

2 sides - Shepherd's crook - LIGHTCONNECT™



**LIGHT
CONNECT™**

microVOS™
TECHNOLOGY

Luminaire Structure

- Die-cast aluminium housing
- Pre-treated before powder coating ensuring high corrosion resistance
- Single cable entry
- One IP68 connector supplied with 0.2 m of 3x1.0 sqmm outdoor cable

- Stainless steel fasteners in grade 304 with zinc flake coating (ZFC)
- Durable silicone rubber gasket
- Clear toughened glass
- High-efficiency polycarbonate lens

- Integral control gear
- Surge protection 10kV

Optic



M W EW T2



T3 T4 ME

Product colour

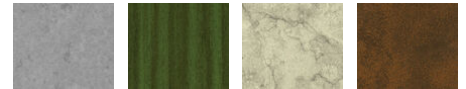


01 - Black (RAL 9011) 02 - Dark Grey (RAL 7043) 03 - White (RAL 9003) 05 - Matt Silver (RAL 9006)



06 - Bronze (RAL 6014)

Special finishes upon request



SU01 - Concrete - Urban SU02 - Softscape - Urban SU03 - Stone - Urban SU04 - Corten - Urban



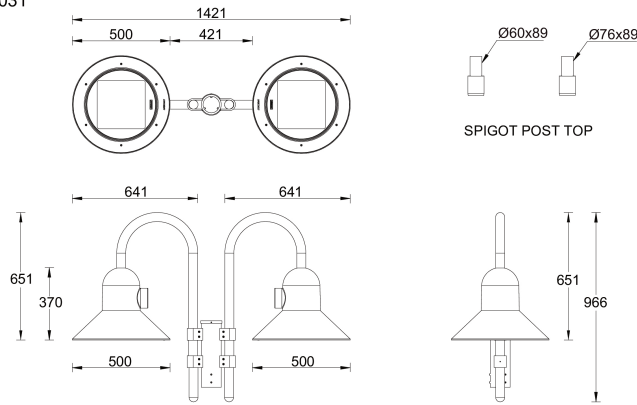
SW01 - Oak - Woodland SW02 - Walnut - Woodland SW03 - Pine - Woodland

HAMILTON4 (HAM-20031-LC)

Technical information

Material	Aluminium	Optic value	30°, 57°, 108°x112°, 139°x54°, 134°x91°, 107°x69°, 139°x59°	Operating temperature	-20 °C to 50 °C
Light source	2 x 24 LED	CCT / CRI	3000K CRI80, 4000K CRI80	Cable	One IP68 connector supplied with 0.2 m of 3x1.0 sqmm outdoor cable
Power	106 W	Bug	B1-U0-G1, B2-U0-G0, B2-U0-G2, B3-U0-G0	Through wiring	Single cable entry
Lumen	12252 - 14054 lm	ULR	0%	Lens / Reflector / Optic	Clear toughened glass, High-efficiency polycarbonate lens
Efficacy	116 - 133 lm/W	ULOR	0%	MacAdam Ellipse	3 SDCM
Driver option	Integral control gear	CIE flux code n°3	97, 98, 99	Lifetime L90B10 (hours)	> 90,000
Driver	Constant current (CC)	Dimming type	DALI	Lifetime L80B10 (hours)	> 90,000
Input voltage	220-240 V 50/60 Hz	Product colours	Black, Dark Grey, White, Matt Silver, Bronze, Concrete - Urban, Softscape - Urban, Stone - Urban, Corten - Urban, Oak - Woodland, Walnut - Woodland, Pine - Woodland	Lifetime L80B50 (hours)	> 90,000
Optic	M, W, EW, T2, T3, T4, ME			Variants (DALI)	Compatible with EN/ IEC 60598-2-22: Suitable for emergency installations as central supply, non-maintained (Z0)
		Weight	25.06 kg.		

HAMILTON 4
HAM-20031



Accessories



Zhaga Book 18 socket (Down)
A90991-D



Zhaga Book 18 socket (Up)
A90991-U



NEMA 7 socket
A90891



DALI Control System
Control-DALI