

HAMILTON 6 (HAM-30012)



Product description

Shepherd's crook



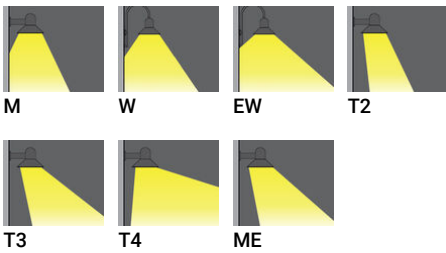
Luminaire Structure

- Die-cast aluminium housing
- Pre-treated before powder coating ensuring high corrosion resistance
- Two cable entries for through wiring
- One cable gland supplied with 2 m of 3x1.0 sqmm outdoor cable

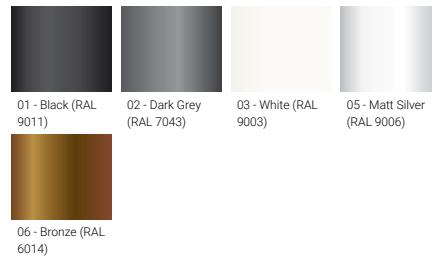
- Stainless steel fasteners in grade 304 with zinc flake coating (ZFC)
- Durable silicone rubber gasket
- High-efficiency PMMA lens
- Clear toughened glass

- Integral control gear

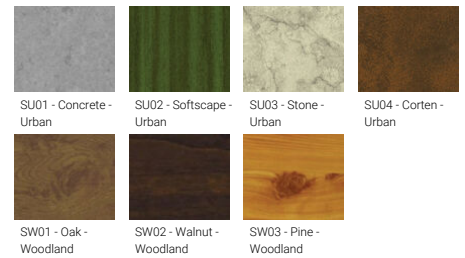
Optic



Product colour



Special finishes upon request



HAMILTON 6 (HAM-30012)

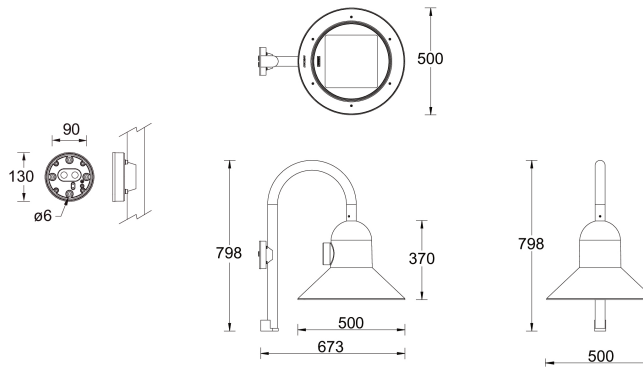
Technical information

Material	Aluminium
Light source	48 LED
Power	75 W
Lumen	8395 - 9862 lm
Efficacy	115 - 135 lm/W
Driver option	Integral control gear
Driver	Constant current (CC)
Input voltage	220-240 V 50/60 Hz
Optic	M, W, EW, T2, T3, T4, ME

Optic value	30°, 57°, 110°, 137°x54°, 120°x94°, 103°x70°, 138°x60°
CCT / CRI	3000K CRI80, 4000K CRI80
Bug	B1-U0-G1, B2-U0-G1, B2-U0-G2, B3-U0-G0, B4-U0-G0
ULR	0%
ULOR	0%
CIE flux code n°3	97, 98, 99
Dimming type	On/Off, 1-10V, DALI
Product colours	Black, Dark Grey, White, Matt Silver, Bronze, Concrete - Urban, Softscape - Urban, Stone - Urban, Corten - Urban, Oak - Woodland, Walnut - Woodland, Pine - Woodland
Weight	14.18 kg.

Operating temperature	-20 °C to 40 °C
Cable	One cable gland supplied with 2 m of 3x1.0 sqmm outdoor cable
Through wiring	Two cable entries for through wiring
Lens / Reflector / Optic	High-efficiency PMMA lens, Clear toughened glass
MacAdam Ellipse	3 SDCM
Lifetime L90B10 (hours)	> 90,000
Lifetime L80B10 (hours)	> 90,000
Lifetime L80B50 (hours)	> 90,000
Variants (On/Off, 1-10V, DALI)	Compatible with EN/ IEC 60598-2-22: Suitable for emergency installations as central supply, non- maintained (ZO)

HAM-30012



Accessories



DALI Control System
Control-DALI