

JET 58 (JE-10581) (Version 2)



Product description

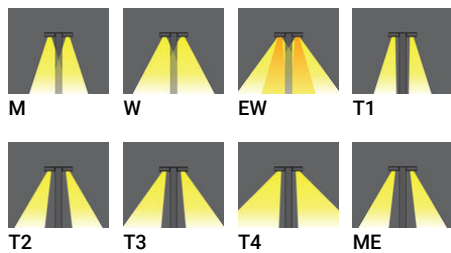
Ø102 - 1000 mm - 2 sides - Round



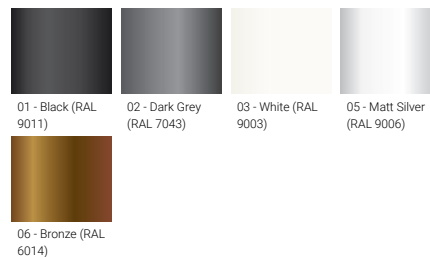
Luminaire Structure

- Die-cast aluminium housing
- Extruded aluminium column
- Pre-treated before powder coating ensuring high corrosion resistance
- Single cable entry
- One IP68 connector supplied with 0.2 m of 3x1.0 sqmm outdoor cable
- Stainless steel fasteners in grade 304 with zinc flake coating (ZFC)
- Durable silicone rubber gasket
- Clear toughened glass
- Integral control gear

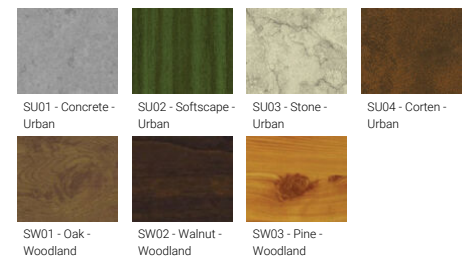
Optic



Product colour



Special finishes upon request

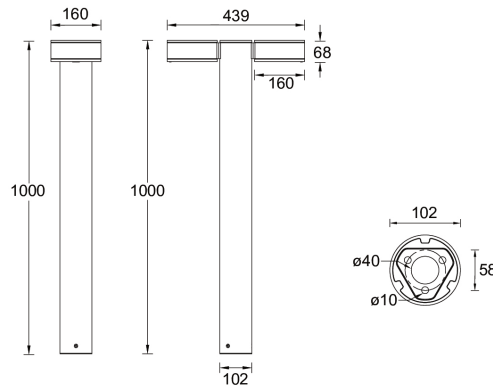


JET 58 (JE-10581) (Version 2)

Technical information

Material	Aluminium	Optic value	30°, 55°, 116°, 148°x72°, 131°x43°, 124°x61°, 94°x68°, 138°x58°	Operating temperature	-20 °C to 50 °C
Light source	2 x 4 LED	CCT / CRI	3000K CRI80, 4000K CRI80	Cable	One IP68 connector supplied with 0.2 m of 3x1.0 sqmm outdoor cable
Power	22 W	Bug	B0-U0-G0, B1-U0-G0, B1-U0-G1	Through wiring	Single cable entry
Lumen	1894 - 2264 lm	ULR	0%	Lens / Reflector / Optic	Clear toughened glass
Efficacy	86 - 103 lm/W	ULOR	0%	MacAdam Ellipse	3 SDCM
Driver option	Integral control gear	CIE flux code n°3	96, 97, 98, 99	Lifetime L90B10 (hours)	> 90,000
Driver	Constant current (CC)	Dimming type	On/Off, 1-10V, DALI	Lifetime L80B10 (hours)	> 90,000
Input voltage	220-240 V 50/60 Hz	Product colours	Black, Dark Grey, White, Matt Silver, Bronze, Concrete - Urban, Softscape - Urban, Stone - Urban, Corten - Urban, Oak - Woodland, Walnut - Woodland, Pine - Woodland	Lifetime L80B50 (hours)	> 90,000
Optic	M, W, EW, T1, T2, T3, T4, ME	Weight	7.0 kg	Variants (On/Off, 1-10V, DALI)	Compatible with EN/ IEC 60598-2-22: Suitable for emergency installations as central supply, non-maintained (Z0)

JE-10581



Accessories



Anchor bolt
A10791



DALI Control System
Control-DALI