

JET 35 (JE-30341)



Product description

Ø102 - 218 mm - Down (Optic) & Up (Optic 2nd) - Round



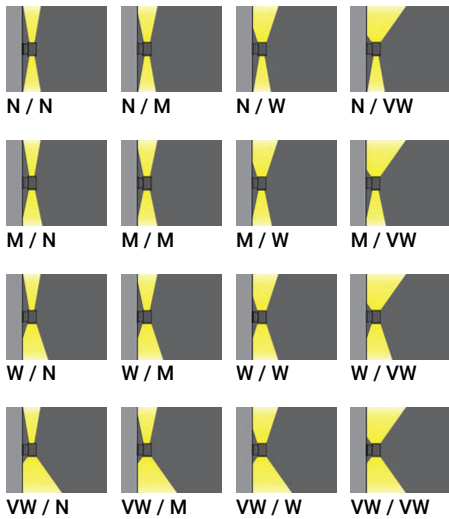
Luminaire Structure

- Die-cast aluminium housing
- Pre-treated before powder coating ensuring high corrosion resistance
- Single cable entry
- Stainless steel fasteners in grade 304 with zinc flake coating (ZFC)

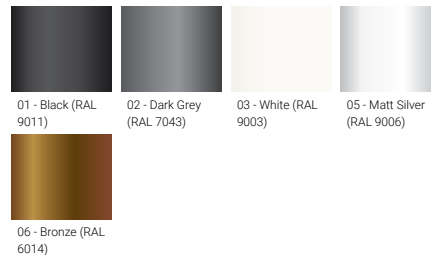
- Durable silicone rubber gasket
- High-efficiency optical reflector
- Clear toughened glass
- Integral control gear

- Optional surface mounting box for easy wiring or conduit connection when wiring from behind is not possible
- JET luminaires with uplight and colder than 3000K CCT do not meet the IDA certification requirements

Optic



Product colour



Special finishes upon request



JET 35 (JE-30341)

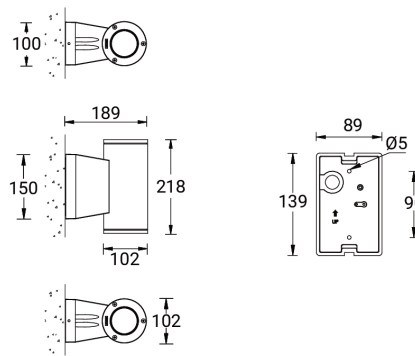
Technical information

Material	Aluminium
Light source	1 & 1 COB
Power	27 W
Lumen	2740 - 3236 lm
Efficacy	100 - 118 lm/W
Driver option	Integral control gear
Driver	Constant current (CC)
Input voltage	220-240 V 50/60 Hz
Optic	N, M, W, VW

Optic value	18°, 24°, 41°, 72°
Optic (2nd)	N, M, W, VW
Optic (2nd) value	18°, 24°, 41°, 72°
CCT / CRI	3000K CRI80, 4000K CRI80
Bug	B1-U5-G0, B2-U5-G0
ULR	47%, 48%, 49%, 50%, 51%, 52%, 53%
ULOR	47%, 48%, 49%, 50%, 51%, 52%, 53%
CIE flux code n°3	100
Dimming type	On/Off, 1-10V, DALI

Product colours	Black, Dark Grey, White, Matt Silver, Bronze, Concrete - Urban, Softscape - Urban, Stone - Urban, Corten - Urban, Oak - Woodland, Walnut - Woodland, Pine - Woodland
Weight	2.3 kg
Operating temperature	-20 °C to 50 °C
Through wiring	Single cable entry
Lens / Reflector / Optic	High-efficiency optical reflector, Clear toughened glass
MacAdam Ellipse	3 SDCM
Lifetime L90B10 (hours)	> 55,000
Variants (On/Off, 1-10V, DALI)	Compatible with EN/ IEC 60598-2-22: Suitable for emergency installations as central supply, non-maintained (Z0)

JE-30341



Accessories



Surface mounting box for easy cabling (JET 35)
SCE-JET-35



DALI Control System
Control-DALI