

**JET 33** (JE-30391) (Version 2)



**Product description**

Ø160 - 262 mm - Down - Round



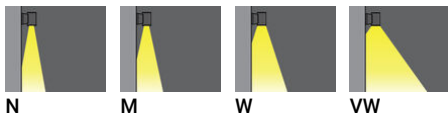
**Luminaire Structure**

- Die-cast aluminium housing
- Pre-treated before powder coating ensuring high corrosion resistance
- Single cable entry
- Stainless steel fasteners in grade 304 with zinc flake coating (ZFC)

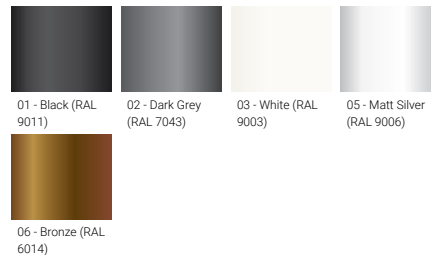
- Durable silicone rubber gasket
- High-efficiency optical reflector
- Clear toughened glass
- Integral control gear

- Optional surface mounting box for easy wiring or conduit connection when wiring from behind is not possible
- JET luminaires with uplight and colder than 3000K CCT do not meet the IDA certification requirements

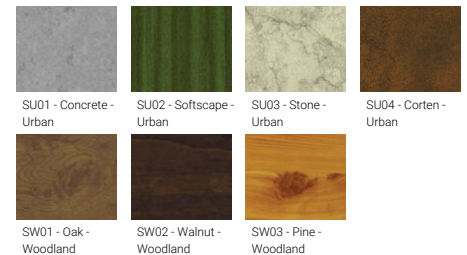
**Optic**



**Product colour**



**Special finishes upon request**



**JET 33** (JE-30391) (Version 2)

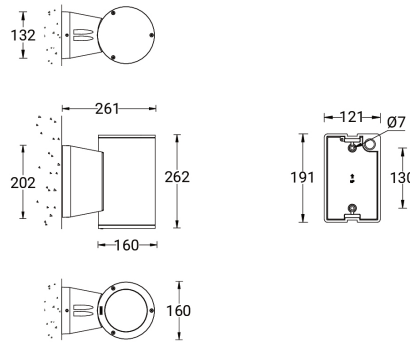
**Technical information**

|                      |                       |
|----------------------|-----------------------|
| <b>Material</b>      | Aluminium             |
| <b>Light source</b>  | 1 COB                 |
| <b>Power</b>         | 35 W                  |
| <b>Lumen</b>         | 3475 - 4094 lm        |
| <b>Efficacy</b>      | 99 - 117 lm/W         |
| <b>Driver option</b> | Integral control gear |
| <b>Driver</b>        | Constant current (CC) |
| <b>Input voltage</b> | 220-240 V 50/60 Hz    |
| <b>Optic</b>         | N, M, W, VW           |

|                          |  |
|--------------------------|--|
| <b>Optic value</b>       | 16°, 26°, 42°, 59°   |
| <b>CCT / CRI</b>         | 3000K CRI80, 4000K CRI80   |
| <b>Bug</b>               | B2-U0-G0, B3-U0-G0   |
| <b>ULR</b>               | 0%   |
| <b>ULOR</b>              | 0%   |
| <b>CIE flux code n°3</b> | 100  |
| <b>Dimming type</b>      | On/Off, 1-10V, DALI  |
| <b>Product colours</b>   | Black, Dark Grey, White, Matt Silver, Bronze, Concrete - Urban, Softscape - Urban, Stone - Urban, Corten - Urban, Oak - Woodland, Walnut - Woodland, Pine - Woodland |
| <b>Weight</b>            | 3.8 kg   |

|                                 |   |
|---------------------------------|---|
| <b>Operating temperature</b>    | -20 °C to 50 °C   |
| <b>Through wiring</b>           | Single cable entry  |
| <b>Lens / Reflector / Optic</b> | High-efficiency optical reflector, Clear toughened glass  |
| <b>MacAdam Ellipse</b>          | 3 SDCM  |
| <b>Lifetime L90B10 (hours)</b>  | > 50,700  |
| <b>Lifetime L80B10 (hours)</b>  | > 63,500  |
| <b>Lifetime L80B50 (hours)</b>  | > 63,500  |
| <b>Variants (1-10V, DALI)</b>   | Compatible with EN/ IEC 60598-2-22: Suitable for emergency installations as central supply, non-maintained (Z0) |

JE-30391



**Accessories**



Surface mounting box for easy cabling (JET 33)  
**SCE-JET-33**



DALI Control System  
**Control-DALI**