

JET 51 (JE-30393)



Product description

Ø160 - 262 mm - Down - Round - RGBW



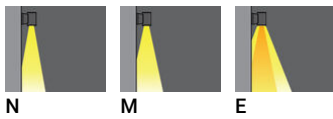
Luminaire Structure

- Die-cast aluminium housing
- Pre-treated before powder coating ensuring high corrosion resistance
- Two cable entries for through wiring
- Stainless steel fasteners in grade 304 with zinc flake coating (ZFC)

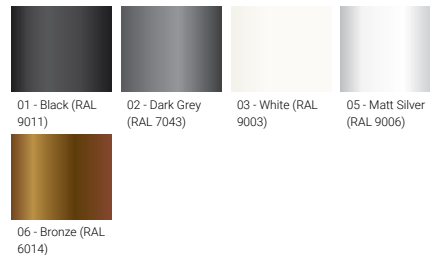
- Durable silicone rubber gasket
- Clear toughened glass
- Integral control gear
- Optional surface mounting box for easy wiring or conduit connection when wiring from behind is not possible

- JET luminaires with uplight and colder than 3000K CCT do not meet the IDA certification requirements

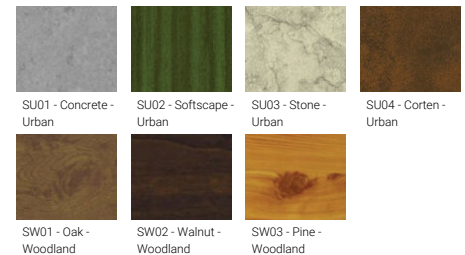
Optic



Product colour



Special finishes upon request

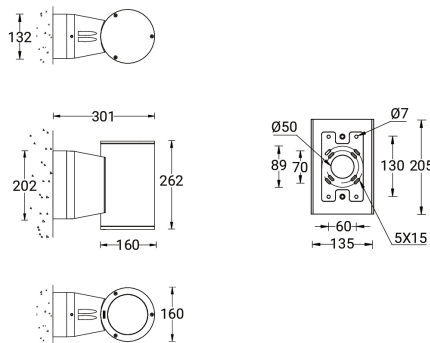


JET 51 (JE-30393)

Technical information

Material	Aluminium	Optic value	21°, 35°, 26° x 48°	Operating temperature	-20 °C to 50 °C
Light source	7 LED	CCT / CRI	RGBW30, RGBW40, RGBW65	Through wiring	Two cable entries for through wiring
Power	33 W	Bug	B1-U1-G0	Lens / Reflector / Optic	Clear toughened glass
Lumen	1119 - 1429 lm	ULR	0%	MacAdam Ellipse	7 SDCM
Efficacy	34 - 43 lm/W	ULOR	0%	Lifetime L90B10 (hours)	> 15,000
Driver option	Integral control gear	CIE flux code n°3	100	Lifetime L80B10 (hours)	> 31,000
Driver	Constant current (CC)	Dimming type	DMX, DMX/RDM	Lifetime L80B50 (hours)	> 34,000
Input voltage	220-240 V 50/60 Hz	Product colours	Black, Dark Grey, White, Matt Silver, Bronze, Concrete - Urban, Softscape - Urban, Stone - Urban, Corten - Urban, Oak - Woodland, Walnut - Woodland, Pine - Woodland		
Optic	N, M, E				
		Weight	4.3 kg		

JE-30393



Accessories



Surface mounting box for easy cabling (JET 51)
SCE-JET-51



DMX Control System
Control-DMX



DMX/RDM Control System
Control-DMX-RDM