

JET 1 (JE-30436)



Product description

Ø102 - 180 mm - Down (Optic) & Up (Optic 2nd) - Round



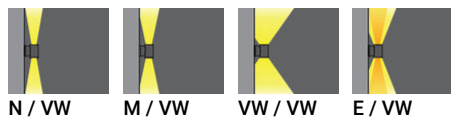
Luminaire Structure

- Die-cast aluminium housing
- Pre-treated before powder coating ensuring high corrosion resistance
- Single cable entry
- Stainless steel fasteners in grade 304 with zinc flake coating (ZFC)

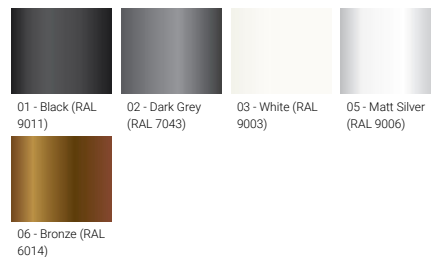
- Durable silicone rubber gasket
- High-efficiency optical reflector
- Clear toughened glass
- Integral control gear

- Optional surface mounting box for easy wiring or conduit connection when wiring from behind is not possible
- JET luminaires with uplight and colder than 3000K CCT do not meet the IDA certification requirements

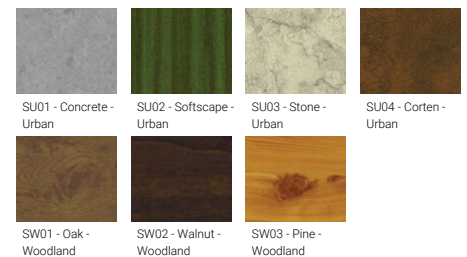
Optic



Product colour



Special finishes upon request



JET 1 (JE-30436)

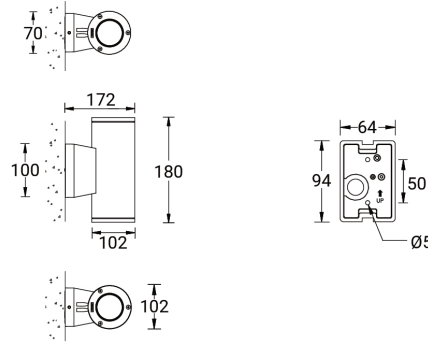
Technical information

Material	Aluminium
Light source	1 & 1 MR16-GU10
Power	15 W
Lumen	508 - 790 lm
Efficacy	34 - 53 lm/W
Driver option	Integral control gear
Driver	Constant current (CC)
Input voltage	220-240 V 50/60 Hz

Optic	N, M, VW, E
Optic value	13°/60°, 23°/60°, 60°/60°, 12°x51°/60°
Optic (2nd)	N, M, VW, E
Optic (2nd) value	13°, 23°, 60°, 12°x51°
CCT / CRI	3000K CRI95, 4000K CRI90
Bug	B0-U3-G0, B1-U3-G0
ULR	43%, 46%, 47%, 49%, 50%, 51%, 53%, 54%, 57%
ULOR	43%, 46%, 47%, 49%, 50%, 51%, 53%, 54%, 57%

CIE flux code n°3	100, 99
Dimming type	On/Off
Product colours	Black, Dark Grey, White, Matt Silver, Bronze, Concrete - Urban, Softscape - Urban, Stone - Urban, Corten - Urban, Oak - Woodland, Walnut - Woodland, Pine - Woodland
Weight	1.1 kg
Operating temperature	-20 °C to 50 °C
Through wiring	Single cable entry
Lens / Reflector / Optic	High-efficiency optical reflector, Clear toughened glass

JE-30436



Accessories



Surface mounting box for easy cabling (JET 1)
SCE-JET-1