

**JET 4 (JE-30454)**



**Product description**

Ø102 - 140 mm - Down - Round



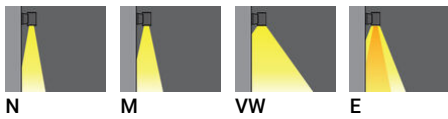
**Luminaire Structure**

- Die-cast aluminium housing
- Pre-treated before powder coating ensuring high corrosion resistance
- Single cable entry
- Stainless steel fasteners in grade 304 with zinc flake coating (ZFC)

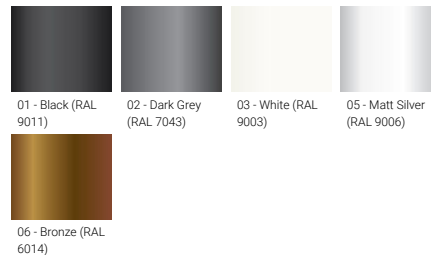
- Durable silicone rubber gasket
- High-efficiency optical reflector
- Clear toughened glass
- Integral control gear

- Optional surface mounting box for easy wiring or conduit connection when wiring from behind is not possible
- JET luminaires with uplight and colder than 3000K CCT do not meet the IDA certification requirements

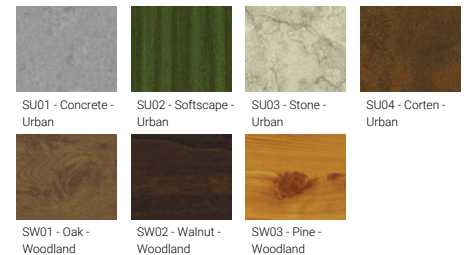
**Optic**



**Product colour**



**Special finishes upon request**



**JET 4** (JE-30454)

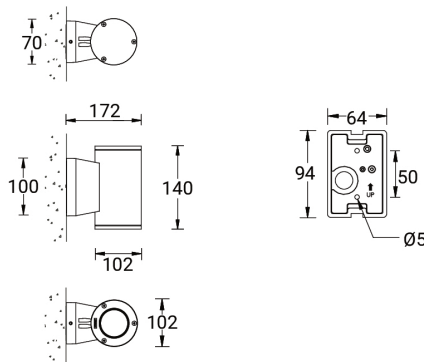
**Technical information**

<b>Material</b>	Aluminium
<b>Light source</b>	MR16-GU10
<b>Power</b>	7.5 W
<b>Lumen</b>	254 - 395 lm
<b>Efficacy</b>	34 - 53 lm/W
<b>Driver option</b>	Integral control gear
<b>Driver</b>	Constant current (CC)

<b>Input voltage</b>	220-240 V 50/60 Hz
<b>Optic</b>	N, M, VW, E
<b>Optic value</b>	13°, 23°, 60°, 12°x51°
<b>CCT / CRI</b>	3000K CRI95, 4000K CRI90
<b>Bug</b>	B0-U0-G0, B1-U0-G0
<b>ULR</b>	0%
<b>ULOR</b>	0%

<b>CIE flux code n°3</b>	100, 99
<b>Dimming type</b>	On/Off
<b>Product colours</b>	Black, Dark Grey, White, Matt Silver, Bronze, Concrete - Urban, Softscape - Urban, Stone - Urban, Corten - Urban, Oak - Woodland, Walnut - Woodland, Pine - Woodland
<b>Weight</b>	0.8 kg
<b>Operating temperature</b>	-20 °C to 50 °C
<b>Through wiring</b>	Single cable entry
<b>Lens / Reflector / Optic</b>	High-efficiency optical reflector, Clear toughened glass

**JE-30454**



**Accessories**



Surface mounting box for easy cabling (JET 4)  
**SCE-JET-4**