

JET 43 (JE-95081)



Product description

Ø102 - 216 mm - Round



Luminaire Structure

- Die-cast aluminium housing
- Pre-treated before powder coating ensuring high corrosion resistance
- Two cable entries for through wiring
- Stainless steel fasteners in grade 304 with zinc flake coating (ZFC)

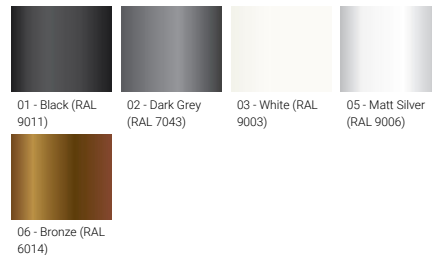
- Durable silicone rubber gasket
- High-efficiency optical reflector
- Clear toughened glass
- Integral control gear

- Stainless steel suspension kit in grade 304
- Suspension height is fully adjustable
- Optional surface mounting box for easy wiring or conduit connection when wiring from behind is not possible

Optic



Product colour



Special finishes upon request



JET 43 (JE-95081)

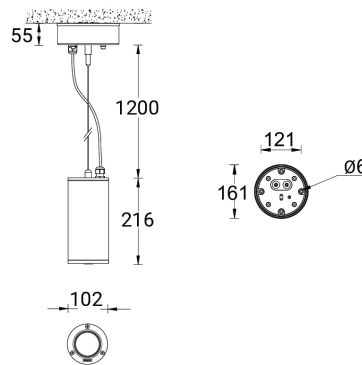
Technical information

Material	Aluminium
Light source	1 COB
Power	14 W
Lumen	1370 - 1618 lm
Efficacy	98 - 116 lm/W
Driver option	Integral control gear
Driver	Constant current (CC)
Input voltage	220-240 V 50/60 Hz

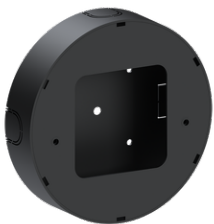
Optic	N, M, W, VW
Optic value	18°, 24°, 41°, 72°
CCT / CRI	3000K CRI80, 4000K CRI80
Bug	B1-U0-G0, B2-U0-G0
ULR	0%
ULOR	0%
CIE flux code n°3	100
Dimming type	On/Off, 1-10V, DALI

Product colours	Black, Dark Grey, White, Matt Silver, Bronze, Concrete - Urban, Softscape - Urban, Stone - Urban, Corten - Urban, Oak - Woodland, Walnut - Woodland, Pine - Woodland
Weight	1.8 kg
Operating temperature	-20 °C to 50 °C
Through wiring	Two cable entries for through wiring
Lens / Reflector / Optic	High-efficiency optical reflector, Clear toughened glass
MacAdam Ellipse	3 SDCM
Lifetime L90B10 (hours)	> 55,000
Variants (On/Off, 1-10V, DALI)	Compatible with EN/ IEC 60598-2-22: Suitable for emergency installations as central supply, non-maintained (Z0)

JE-95081



Accessories



Surface mounting box for easy cabling (JET 43)
SCE-JET-43



DALI Control System
Control-DALI