

JET 44 (JE-95092)**Product description**

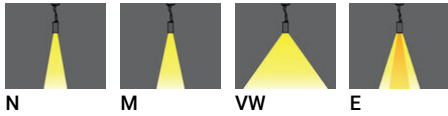
102x102 mm - 140 mm - Square

**Luminaire Structure**

- Die-cast aluminium housing
- Pre-treated before powder coating ensuring high corrosion resistance
- Two cable entries for through wiring
- Stainless steel fasteners in grade 304 with zinc flake coating (ZFC)

- Durable silicone rubber gasket
- High-efficiency optical reflector
- Clear toughened glass
- Integral control gear

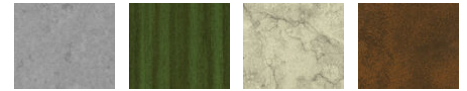
- Stainless steel suspension kit in grade 304
- Suspension height is fully adjustable
- Optional surface mounting box for easy wiring or conduit connection when wiring from behind is not possible

Optic**N M VW E****Product colour**

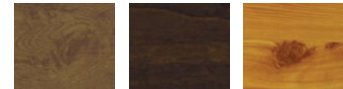
01 - Black (RAL 9011) 02 - Dark Grey (RAL 7043) 03 - White (RAL 9003) 05 - Matt Silver (RAL 9006)



06 - Bronze (RAL 6014)

Special finishes upon request

SU01 - Concrete - Urban SU02 - Softscape - Urban SU03 - Stone - Urban SU04 - Corten - Urban



SW01 - Oak - Woodland SW02 - Walnut - Woodland SW03 - Pine - Woodland

JET 44 (JE-95092)

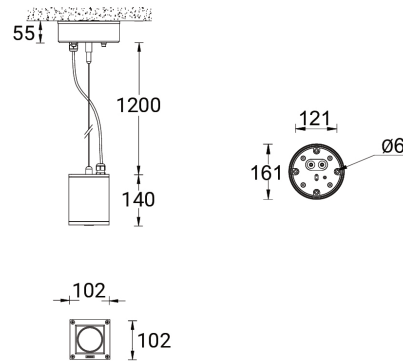
Technical information

Material	Aluminium
Light source	MR16-GU10
Power	7.5 W
Lumen	254 - 395 lm
Efficacy	34 - 53 lm/W
Driver option	Integral control gear
Driver	Constant current (CC)

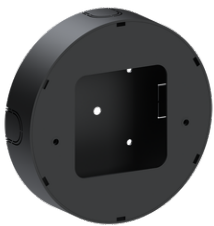
Input voltage	220-240 V 50/60 Hz
Optic	N, M, VW, E
Optic value	13°, 23°, 60°, 12°x51°
CCT / CRI	3000K CRI95, 4000K CRI90
Bug	B0-U0-G0, B1-U0-G0
ULR	0%
ULOR	0%

CIE flux code n°3	100, 99
Dimming type	On/Off
Product colours	Black, Dark Grey, White, Matt Silver, Bronze, Concrete - Urban, Softscape - Urban, Stone - Urban, Corten - Urban, Oak - Woodland, Walnut - Woodland, Pine - Woodland
Weight	2.1 kg
Operating temperature	-20 °C to 50 °C
Through wiring	Two cable entries for through wiring
Lens / Reflector / Optic	High-efficiency optical reflector, Clear toughened glass

JE-95092



Accessories



Surface mounting box for easy cabling (JET44)
SCE-JET-44