

KWH 5 (KWH-20011)



Product description

Medium



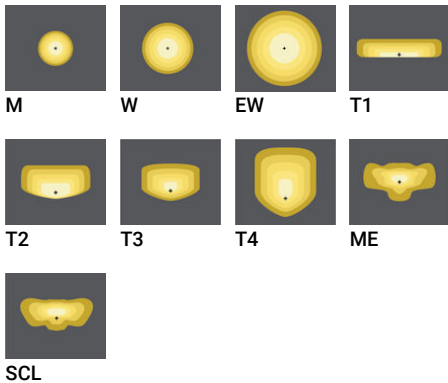
Luminaire Structure

- Die-cast aluminium end-caps
- Extruded aluminium housing
- Pre-treated before powder coating ensuring high corrosion resistance
- Single cable entry

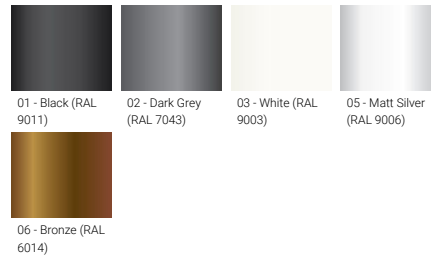
- Stainless steel fasteners in grade 304 with zinc flake coating (ZFC)
- Durable silicone rubber gasket
- High-efficiency PMMA lens
- Clear toughened glass

- Integral control gear
- Surge protection 10kV

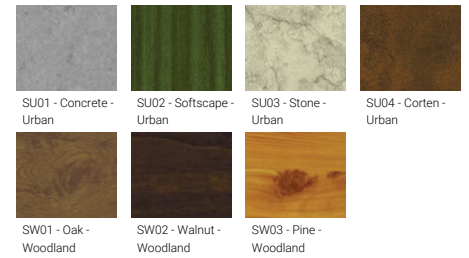
Optic



Product colour



Special finishes upon request



KWH 5 (KWH-20011)

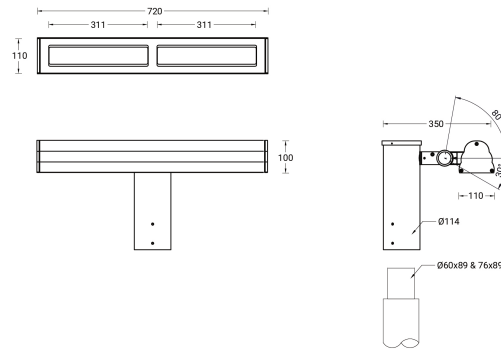
Technical information

Material	Aluminium
Light source	4 x 12 LED
Power	38 W
Lumen	4280 - 5182 lm
Efficacy	113 - 136 lm/W
Driver option	Integral control gear
Driver	Constant current (CC)

Input voltage	220-240 V 50/60 Hz
Optic	M, W, EW, T1, T2, T3, T4, ME, SCL 31°, 55°, 107°, 147° x 77°, 139° x 57°, 133° x 88°, 104° x 66°, 141° x 60°, 154° x 68°
Optic value	
CCT / CRI	3000K CRI80, 4000K CRI80
Bug	B1-U0-G0, B1-U0-G1, B2-U0-G0, B2-U0-G2, B3-U0-G0
Dimming type	On/Off, 1-10V, DALI Black, Dark Grey, White, Matt Silver, Bronze, Concrete - Urban, Softscape - Urban, Stone - Urban, Corten - Urban, Oak - Woodland, Walnut - Woodland, Pine - Woodland
Product colours	

Weight	8.27 kg
Operating temperature	-20 °C to 50 °C
Through wiring	Single cable entry
Lens / Reflector / Optic	High-efficiency PMMA lens, Clear toughened glass Compatible with EN/ IEC 60598-2-22: Suitable for emergency installations as central supply, non-maintained (Z0)
Variants (On/Off, 1-10V, DALI)	

KWH-20011



Accessories



DALI Control System
Control-DALI