

KWH 6 (KWH-20021)



Product description

Large



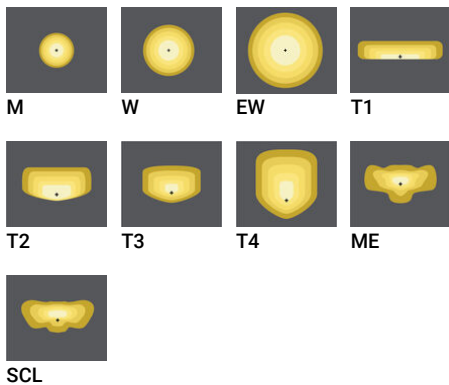
Luminaire Structure

- Die-cast aluminium end-caps
- Extruded aluminium housing
- Pre-treated before powder coating ensuring high corrosion resistance
- Single cable entry

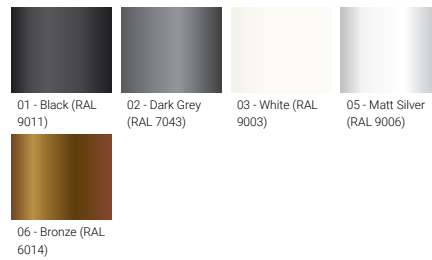
- Stainless steel fasteners in grade 304 with zinc flake coating (ZFC)
- Durable silicone rubber gasket
- High-efficiency PMMA lens
- Clear toughened glass

- Integral control gear
- Surge protection 10kV

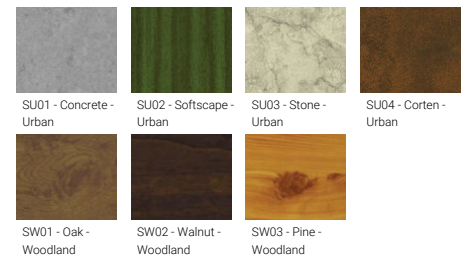
Optic



Product colour



Special finishes upon request



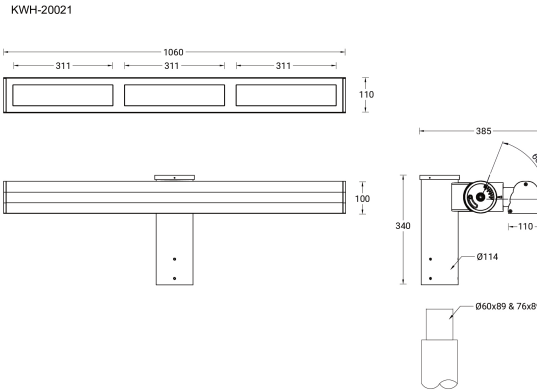
KWH 6 (KWH-20021)

Technical information

Material	Aluminium
Light source	6 x 12 LED
Power	57 W
Lumen	6422 - 7778 lm
Efficacy	113 - 136 lm/W
Driver option	Integral control gear
Driver	Constant current (CC)
Input voltage	220-240 V 50/60 Hz
Optic	M, W, EW, T1, T2, T3, T4, ME, SCL

Optic value	31°, 56°, 107°, 147° x 78°, 139° x 57°, 133° x 88°, 104° x 67°, 141° x 60°, 154° x 68°
CCT / CRI	3000K CRI80, 4000K CRI80
Bug	B1-U0-G1, B2-U0-G0, B2-U0-G1, B2-U0-G2, B3-U0-G0, B3-U0-G1, B3-U0-G3
ULR	0%
ULOR	0%
CIE flux code n°3	96%, 97%, 98%, 99%
Dimming type	On/Off, 1-10V, DALI
Product colours	Black, Dark Grey, White, Matt Silver, Bronze, Concrete - Urban, Softscape - Urban, Stone - Urban, Corten - Urban, Oak - Woodland, Walnut - Woodland, Pine - Woodland
Weight	12.40 kg

Operating temperature	-20 °C to 40 °C
Through wiring	Single cable entry
Lens / Reflector / Optic	High-efficiency PMMA lens, Clear toughened glass
MacAdam Ellipse	3 SDCM
Lifetime L90B10 (hours)	> 90,000
Lifetime L80B10 (hours)	> 90,000
Lifetime L80B50 (hours)	> 90,000



Accessories



DALI Control System
Control-DALI