

KWH 11 (KWH-50042)



Product description

Large - 1 head - RGBW



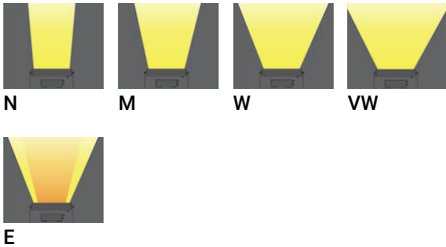
Luminaire Structure

- Die-cast aluminium end-caps
- Extruded aluminium housing
- Pre-treated before powder coating ensuring high corrosion resistance
- Thermal heat dissipation body
- Single or double head configuration for all three sizes

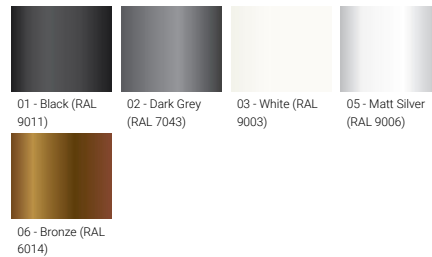
- Each of the heads can be aimed, adjusted and locked for precise aiming
- Single cable entry, through wiring upon request
- Three IP68 connectors supplied with 0.2 m of 3x1.0 sqmm outdoor cable and 2x0.2 m of 2x0.5 sqmm outdoor shielded cable
- Stainless steel fasteners in grade 304 with zinc flake coating (ZFC)
- Durable silicone rubber gasket

- Clear toughened glass
- High-efficiency PMMA lens
- Integral control gear
- Hot-dipped galvanised steel mounting bracket allows for ceiling, wall or surface mounting

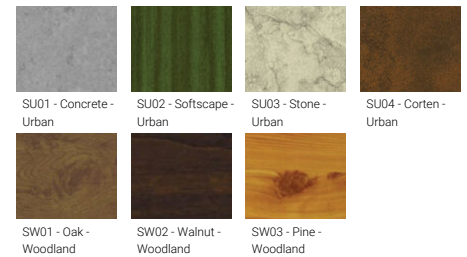
Optic



Product colour



Special finishes upon request



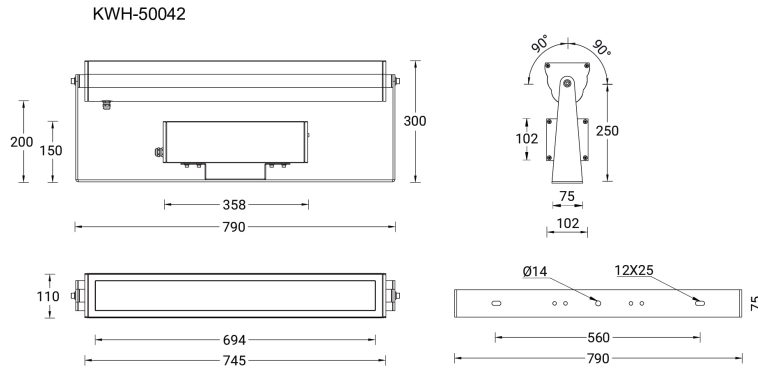
KWH 11 (KWH-50042)

Technical information

Material	Aluminium
Light source	80 LED
Power	73 W
Lumen	4401 - 5635 lm
Efficacy	60 - 77 lm/W
Driver option	Integral control gear
Driver	Constant current (CC)
Input voltage	220-240 V 50/60 Hz

Optic	N, M, W, VW, E
Optic value	8°, 17°, 26°, 65°, 43°x11°
CCT / CRI	RGBW30, RGBW40
Bug	B3-U0-G0, B4-U0-G0
ULR	0%
ULOR	0%
CIE flux code n°3	100
Dimming type	DMX, DMX/RDM

Product colours	Black, Dark Grey, White, Matt Silver, Bronze, Concrete - Urban, Softscape - Urban, Stone - Urban, Corten - Urban, Oak - Woodland, Walnut - Woodland, Pine - Woodland
Weight	12.2 kg
Operating temperature	-20 °C to 40 °C
Cable	Three IP68 connectors supplied with 0.2 m of 3x1.0 sqmm outdoor cable and 2x0.2 m of 2x0.5 sqmm outdoor shielded cable
Through wiring	Single cable entry, through wiring upon request
Lens / Reflector / Optic	Clear toughened glass, High-efficiency PMMA lens



Accessories



DMX Control System
Control-DMX



DMX/RDM Control System
Control-DMX-RDM