

KWH 12 (KWH-50051)



Product description

Large - 2 heads



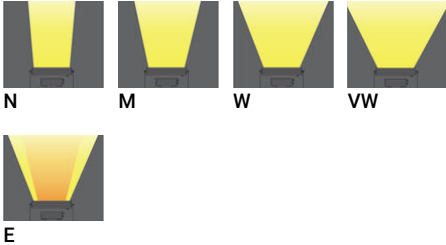
Luminaire Structure

- Die-cast aluminium end-caps
- Extruded aluminium housing
- Pre-treated before powder coating ensuring high corrosion resistance
- Thermal heat dissipation body
- Single or double head configuration for all three sizes

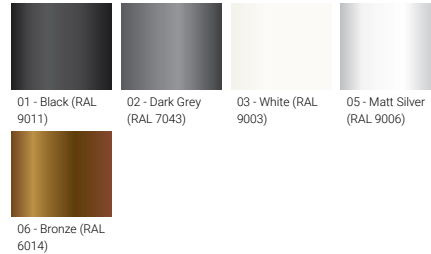
- Each of the heads can be aimed, adjusted and locked for precise aiming
- Single cable entry, through wiring upon request
- One IP68 connector supplied with 0.2 m of 3x1.0 sqmm outdoor cable
- Stainless steel fasteners in grade 304 with zinc flake coating (ZFC)
- Durable silicone rubber gasket

- Clear toughened glass
- High-efficiency PMMA lens
- Integral control gear
- Hot-dipped galvanised steel mounting bracket allows for ceiling, wall or surface mounting

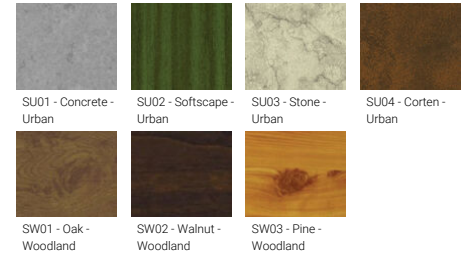
Optic



Product colour



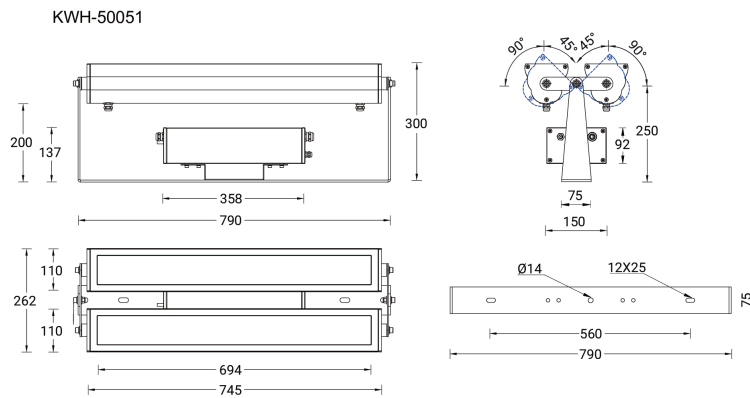
Special finishes upon request



KWH 12 (KWH-50051)

Technical information

Material	Aluminium	Optic	N, M, W, VW, E	Product colours	Black, Dark Grey, White, Matt Silver, Bronze, Concrete - Urban, Softscape - Urban, Stone - Urban, Corten - Urban, Oak - Woodland, Walnut - Woodland, Pine - Woodland
Light source	2 x 72 LED	Optic value	10°, 17°, 33°, 58°x67°, 12°x43°	Weight	18 kg
Power	186 W	CCT / CRI	3000K CRI80, 4000K CRI80	Operating temperature	-20 °C to 40 °C
Lumen	18093 - 22783 lm	Bug	B5-U0-G0, B5-U0-G1	Cable	One IP68 connector supplied with 0.2 m of 3x1.0 sqmm outdoor cable
Efficacy	97 - 122 lm/W	ULR	0%	Through wiring	Single cable entry, through wiring upon request
Driver option	Integral control gear	ULOR	0%	Lens / Reflector / Optic	Clear toughened glass, High-efficiency PMMA lens
Driver	Constant current (CC)	CIE flux code n°3	100, 99	Variants (On/Off, 1-10V, DALI)	Compatible with EN/ IEC 60598-2-22: Suitable for emergency installations as central supply, non-maintained (Z0)
Input voltage	220-240 V 50/60 Hz	Dimming type	On/Off, 1-10V, DALI		



Accessories



DALI Control System
Control-DALI