

LIGHTALK 8 (LA-30022)



Product description

Without remote box IP-rated - With remote driver - Constant current (CC) 500 mA - 1205 mm - Class I



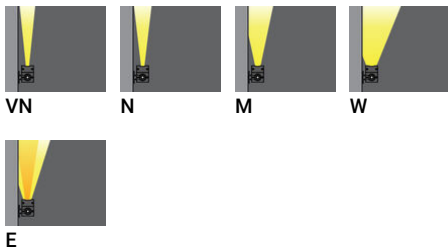
Luminaire Structure

- Die-cast aluminium end-caps
- Extruded aluminium housing and sheet aluminium front frame
- Pre-treated before powder coating ensuring high corrosion resistance
- Single cable entry, through wiring upon request

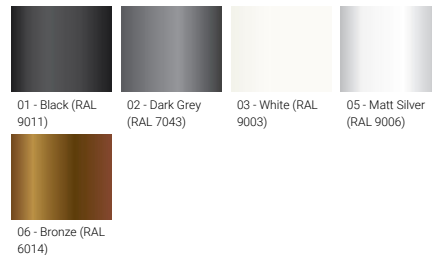
- Two IP67 connectors supplied with 2x0.2 m of 2x1.0 sqmm outdoor cable
- Stainless steel fasteners in grade 304 with zinc flake coating (ZFC)
- Durable silicone rubber gasket
- Clear toughened glass

- Remote driver (included)
- Remote box IP-rated is not included and is to be ordered separately for constant current (CC) products
- 24 VDC input, DMX/RDM address with stable signal

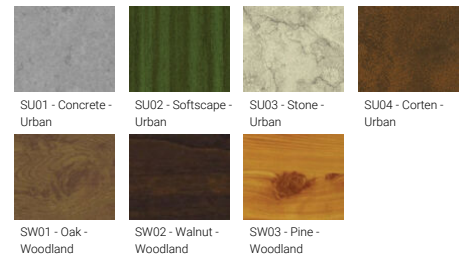
Optic



Product colour



Special finishes upon request

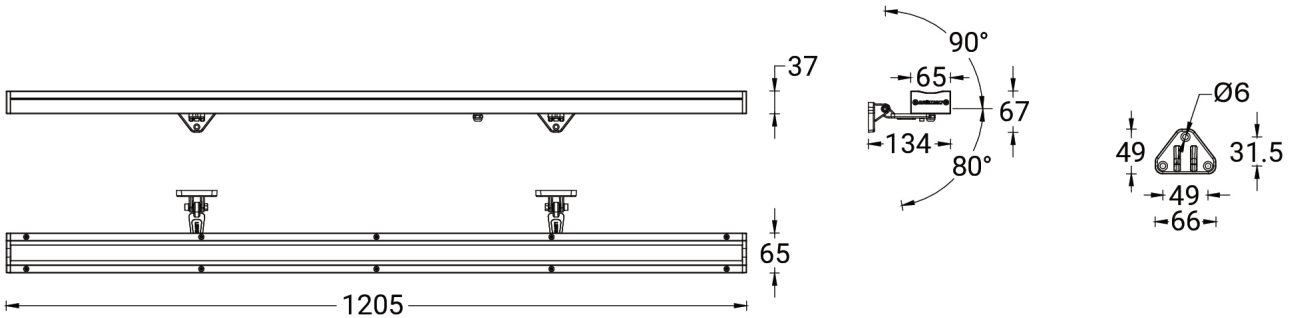


LIGHTALK 8 (LA-30022)

Technical information

Material	Aluminium	Optic	VN, N, M, W, E	Through wiring	Single cable entry, through wiring upon request
Light source	36 LED	Optic value	12°, 14°, 24°, 42°, 18° x 35°	Lens / Reflector / Optic	Clear toughened glass
Power	55 W	CCT / CRI	3000K CRI80, 4000K CRI80	MacAdam Ellipse	3 SDCM
Lumen	3908 - 5703 lm	Dimming type	On/Off, 1-10V, DALI	Lifetime L90B10 (hours)	> 120,000
Efficacy	71 - 104 lm/W	Product colours	Black, Dark Grey, White, Matt Silver, Bronze, Concrete - Urban, Softscape - Urban, Stone - Urban, Corten - Urban, Oak - Woodland, Walnut - Woodland, Pine - Woodland	Lifetime L80B10 (hours)	> 120,000
Driver option	Remote driver (included)			Lifetime L80B50 (hours)	> 120,000
Driver	Constant current (CC)			Variants (On/Off, 1-10V, DALI)	Compatible with EN/ IEC 60598-2-22: Suitable for emergency installations as central supply, non-maintained (Z0)
Input voltage	500 mA, 108 VDC	Weight	4.0 kg		
		Operating temperature	-20 °C to 40 °C		
		Cable	Two IP67 connectors supplied with 2x0.2 m of 2x1.0 sqmm outdoor cable		

LA-30022



Accessories



75 mm extend arm mounting
A30891



150 mm extend arm mounting
A30991



300 mm extend arm mounting
A31091



450 mm extend arm mounting
A31191

LIGHTALK 8 (LA-30022)



DALI Control System
Control-DALI