

LIGHTTALK 1 (LA-60003)**Product description**

With recessing box - Integral control gear - 655 mm - Class I

**Luminaire Structure**

- Die-cast aluminium end-caps
- Extruded aluminium housing
- Pre-treated before powder coating ensuring high corrosion resistance
- Stainless steel frame on request
- Single cable entry, through wiring upon request
- One IP67 connector supplied with 0.2 m of 3x1.0 sqmm outdoor cable
- Stainless steel fasteners in grade 304 with zinc flake coating (ZFC)
- Durable silicone rubber gasket
- Clear toughened glass
- Integral control gear
- Recessing box is included
- Suitable for walk-over with a maximum load of 500 kg
- 24 VDC input, DMX/RDM address with stable signal

Optic

AS

Product colour

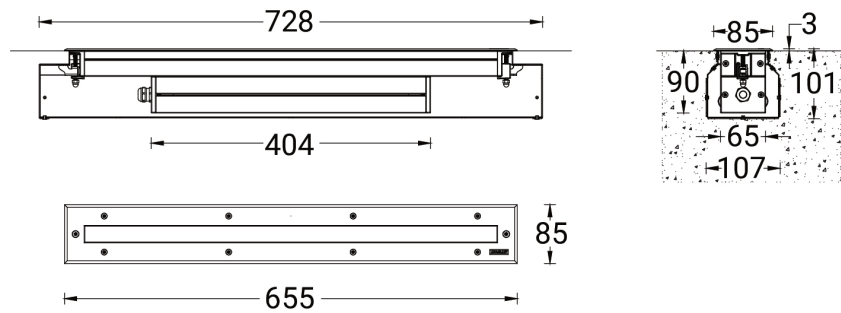
00 - Stainless Steel

LIGHTALK 1 (LA-60003)

Technical information

Material	Stainless Steel	Optic value	27°x60°	Cable	One IP67 connector supplied with 0.2 m of 3x1.0 sqmm outdoor cable
Light source	18 LED	CCT / CRI	3000K CRI80, 4000K CRI80	Through wiring	Single cable entry, through wiring upon request
Power	28 W	Bug	B0-U5-G0	Lens / Reflector / Optic	Clear toughened glass
Lumen	2187 - 2566 lm	ULR	100%	MacAdam Ellipse	3 SDCM
Efficacy	78 - 92 lm/W	ULOR	100%	Lifetime L90B10 (hours)	> 120,000
Driver option	Integral control gear	Dimming type	On/Off, 1-10V, DALI	Lifetime L80B10 (hours)	> 120,000
Driver	Constant current (CC)	Product colours	Stainless Steel	Lifetime L80B50 (hours)	> 120,000
Input voltage	220-240 V 50/60 Hz	Weight	4.6 kg	Variants (On/Off, 1-10V, DALI)	Compatible with EN/ IEC 60598-2-22: Suitable for emergency installations as central supply, non-maintained (Z0)
Optic	AS	Operating temperature	-20 °C to 40 °C		

LA-60003



Accessories



Connector IP68 3 Pin Power
A62591



DALI Control System
Control-DALI



Connector IP68 5 Pin Power + Signal
A613191