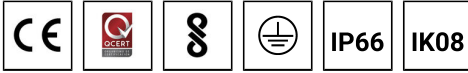


**LADOR 1 (LD-50001)**



**Product description**

Integral control gear - 62x62 mm - Class I



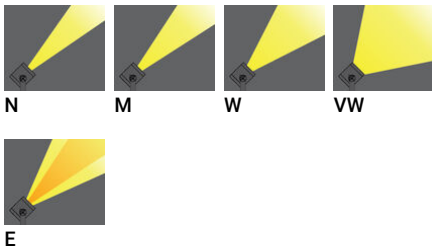
microPrim™



**Luminaire structure**

- Die-cast aluminium housing
- Thermal heat dissipation body
- Pre-treated before powder coating ensuring high corrosion resistance
- Single cable entry
- One IP68 connector supplied with 0.2 m of 3x1.0 sqmm outdoor cable
- Stainless steel fasteners in grade 304 with zinc flake coating (ZFC)
- Durable silicone rubber gasket
- High-efficiency PMMA lens
- Clear toughened glass
- Integral control gear
- LADOR 1, 2, 3 and 4 are not available in European Union

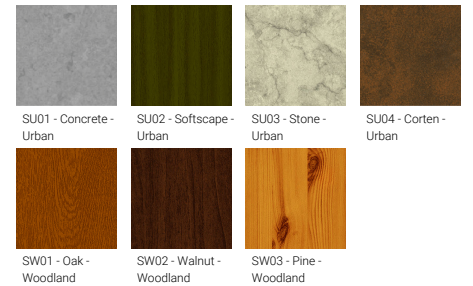
**Optic**



**Product colour**



**Special finishes upon request**

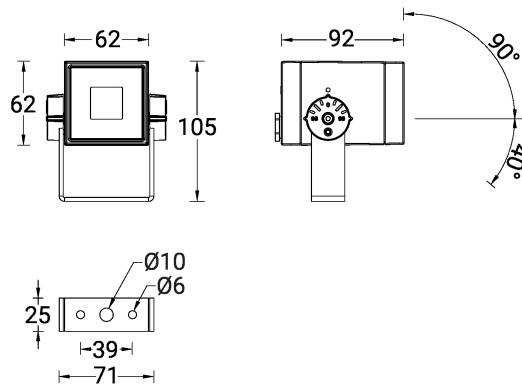


**LADOR 1 (LD-50001)**

**Technical information**

<b>Material</b>	Aluminium	<b>Optic value</b>	10°, 16°, 32°, 70°, 42°x11°	<b>Operating temperature</b>	-20 °C to 40 °C
<b>Light source</b>	1 LED	<b>CCT / CRI</b>	3000K CRI80, 4000K CRI80	<b>EPA (m2)</b>	0.010
<b>Power</b>	3 W	<b>Bug</b>	B0-U0-G0, B1-U0-G0	<b>Cable</b>	One IP68 connector supplied with 0.2 m of 3x1.0 sqmm outdoor cable
<b>Lumen</b>	209 - 262 lm	<b>ULR</b>	<1%	<b>Through wiring</b>	Single cable entry
<b>Efficacy</b>	70 - 87 lm/W	<b>ULOR</b>	<1%	<b>Lens / Reflector / Optic</b>	High-efficiency PMMA lens, Clear toughened glass
<b>Driver option</b>	Integral control gear	<b>CIE flux code n°3</b>	100	<b>MacAdam Ellipse</b>	3 SDCM
<b>Driver</b>	Constant current (CC)	<b>Dimming type</b>	On/Off	<b>Lifetime L90B10 (hours)</b>	> 120,000
<b>Input voltage</b>	220-240 V 50/60 Hz	<b>Product colours</b>	Black, Dark Grey, White, Matt Silver, Bronze, Concrete - Urban, Softscape - Urban, Stone - Urban, Corten - Urban, Oak - Woodland, Walnut - Woodland, Pine - Woodland	<b>Lifetime L80B10 (hours)</b>	> 120,000
<b>Optic</b>	N, M, W, VW, E			<b>Lifetime L80B50 (hours)</b>	> 120,000
		<b>Weight</b>	0.7 kg		

**LD-50001**



**LADOR 1 (LD-50001)****Accessory**

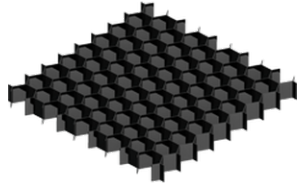
---



---

Ground spike  
**A50641**

---



---

Honeycomb louvre  
**A51821**

---



---

Linear spread lens  
**A51114**

---



---

Anti-glare visor  
**A52831**

---

Please contact the factory for technical details if you wish to use Anti-glare accessories, Colour filters, Lenses and slip glasses in combination.