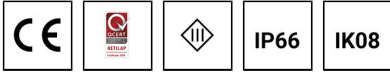


**LADOR 1 (LD-50002) (Version 1)**



**Product description**

With remote driver IP-rated - Constant voltage (CV) 24 V - 62x62 mm - Class III - RGBW



**Luminaire Structure**

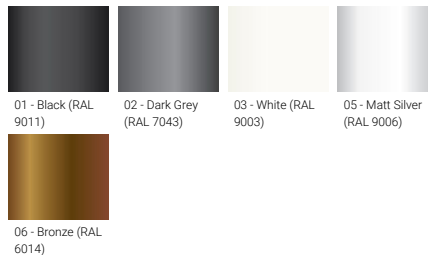
- Die-cast aluminium housing
- Thermal heat dissipation body
- Pre-treated before powder coating ensuring high corrosion resistance
- Single cable entry
- One IP68 connector supplied with 0.2 m of 8x0.5 sqmm outdoor cable
- Stainless steel fasteners in grade 304 with zinc flake coating (ZFC)
- Durable silicone rubber gasket
- High-efficiency PMMA lens
- Clear toughened glass
- Remote driver (included)
- LADOR 1, 2, 3 and 4 are not available in European Union

**Optic**



M

**Product colour**



**Special finishes upon request**

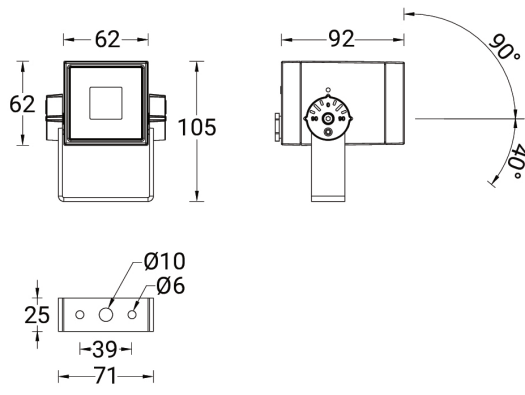


**LADOR 1 (LD-50002) (Version 1)**

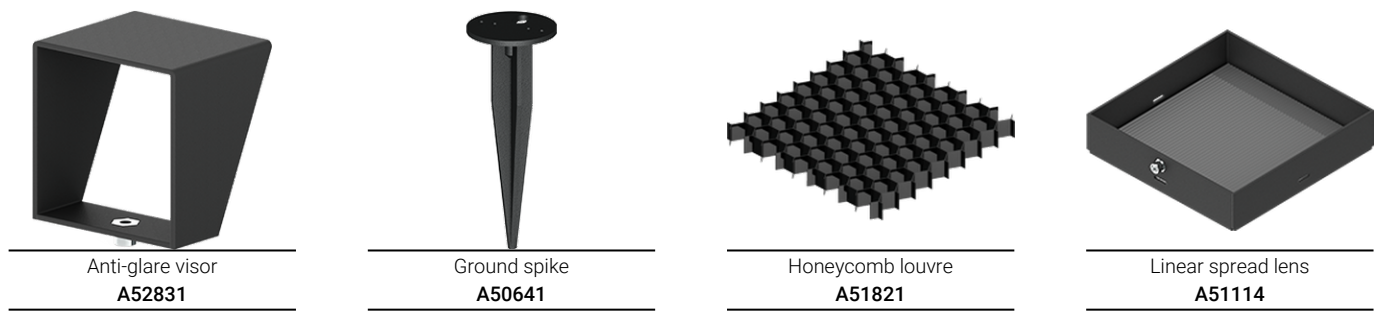
**Technical information**

<b>Material</b>	Aluminium	<b>Input voltage</b>	24 VDC	<b>Operating temperature</b>	-20 °C to 40 °C
<b>Light source</b>	1 LED	<b>Optic</b>	M	<b>Cable</b>	One IP68 connector supplied with 0.2 m of 8x0.5 sqmm outdoor cable
<b>Power</b>	4 W	<b>Optic value</b>	34°	<b>Through wiring</b>	Single cable entry
<b>Lumen</b>	166 - 170 lm	<b>CCT / CRI</b>	RGBW30, RGBW40	<b>Lens / Reflector / Optic</b>	High-efficiency PMMA lens, Clear toughened glass
<b>Efficacy</b>	42 - 43 lm/W	<b>Dimming type</b>	DMX, DMX/RDM	<b>Variants (DMX/RDM)</b>	Compatible with EN/ IEC 60598-2-22: Suitable for emergency installations as central supply, non-maintained (Z0)
<b>Driver option</b>	Remote driver (included)	<b>Product colours</b>	Black, Dark Grey, White, Matt Silver, Bronze, Concrete - Urban, Softscape - Urban, Stone - Urban, Corten - Urban, Oak - Woodland, Walnut - Woodland, Pine - Woodland		
<b>Driver</b>	Constant voltage (CV)	<b>Weight</b>	0.7 kg		

**LD-50002**



**Accessories**



**LADOR 1** (LD-50002) (Version 1)

DMX Control System  
**Control-DMX**



DMX/RDM Control System  
**Control-DMX-RDM**

Please contact the factory for technical details if you wish to use Anti-glare accessories, Colour filters, Lenses and slip glasses in combination.