

LADOR 4 (LD-50031)



Product description

Integral control gear - 145x145 mm - Class I



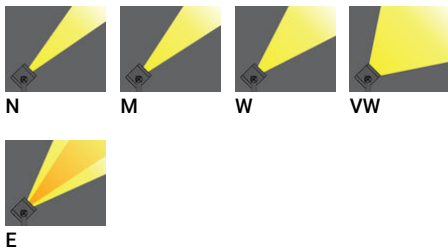
Luminaire Structure

- Die-cast aluminium housing
- Thermal heat dissipation body
- Pre-treated before powder coating ensuring high corrosion resistance
- Single cable entry

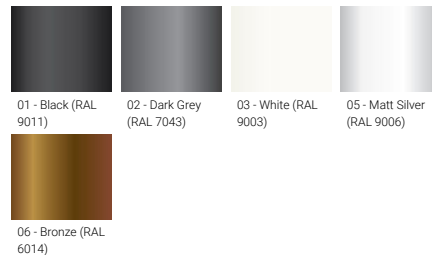
- One IP68 connector supplied with 0.2 m of 3x1.0 sqmm outdoor cable
- Stainless steel fasteners in grade 304 with zinc flake coating (ZFC)
- Durable silicone rubber gasket
- High-efficiency PMMA lens

- Clear toughened glass
- Integral control gear
- LADOR 1, 2, 3 and 4 are not available in European Union

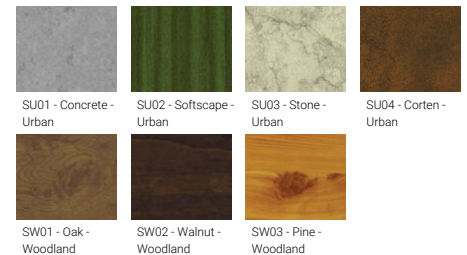
Optic



Product colour



Special finishes upon request

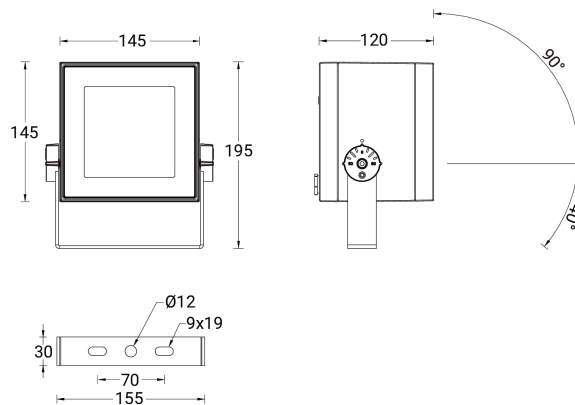


LADOR 4 (LD-50031)

Technical information

Material	Aluminium	Optic value	10°, 16°, 33°, 72°, 43°x11°	Operating temperature	-20 °C to 40 °C
Light source	16 LED	CCT / CRI	3000K CRI80, 4000K CRI80, TW(AMBER - 3000K)	Cable	One IP68 connector supplied with 0.2 m of 3x1.0 sqmm outdoor cable
Power	35 W	Bug	B2-U0-G0, B3-U0-G0	Through wiring	Single cable entry
Lumen	2219 - 4110 lm	ULR	0%	Lens / Reflector / Optic	High-efficiency PMMA lens, Clear toughened glass
Efficacy	63 - 117 lm/W	ULOR	0%	MacAdam Ellipse	3 SDCM
Driver option	Integral control gear	CIE flux code n°3	100	Lifetime L90B10 (hours)	> 120,000
Driver	Constant current (CC)	Dimming type	On/Off, 1-10V, DALI	Lifetime L80B10 (hours)	> 120,000
Input voltage	220-240 V 50/60 Hz	Product colours	Black, Dark Grey, White, Matt Silver, Bronze, Concrete - Urban, Softscape - Urban, Stone - Urban, Corten - Urban, Oak - Woodland, Walnut - Woodland, Pine - Woodland	Lifetime L80B50 (hours)	> 120,000
Optic	N, M, W, VW, E		Weight	3.0 kg	Variants (1-10V, DALI)

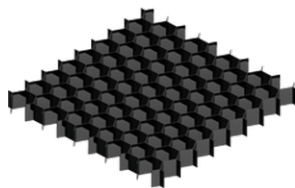
LD-50031



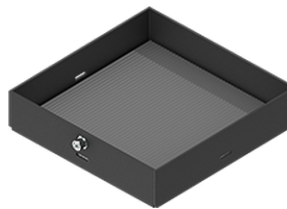
Accessories



Ground spike
A50441



Honeycomb louvre
A52121



Linear spread lens
A51414



DALI Control System
Control-DALI

LADOR 4 (LD-50031)

Anti-glare visor

A53131

Please contact the factory for technical details if you wish to use Anti-glare accessories, Colour filters, Lenses and slip glasses in combination.