

LADOR 4 (LD-50032)



Product description

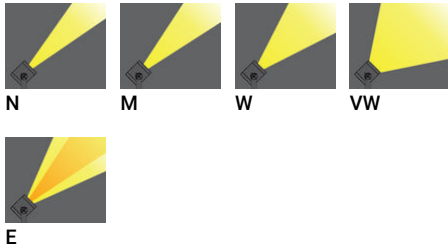
Integral control gear - 145x145 mm - Class I - RGBW



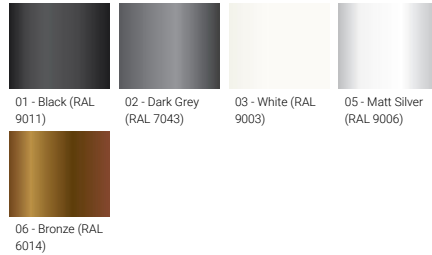
Luminaire Structure

- Die-cast aluminium housing
- Thermal heat dissipation body
- Pre-treated before powder coating ensuring high corrosion resistance
- Single cable entry
- One IP68 connector supplied with 0.2 m of 8x0.5 sqmm outdoor cable
- Stainless steel fasteners in grade 304 with zinc flake coating (ZFC)
- Durable silicone rubber gasket
- High-efficiency PMMA lens
- Clear toughened glass
- Integral control gear
- LADOR 1, 2, 3 and 4 are not available in European Union

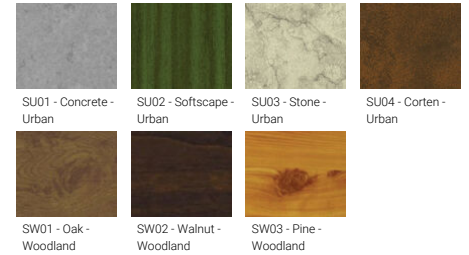
Optic



Product colour



Special finishes upon request



LADOR 4 (LD-50032)

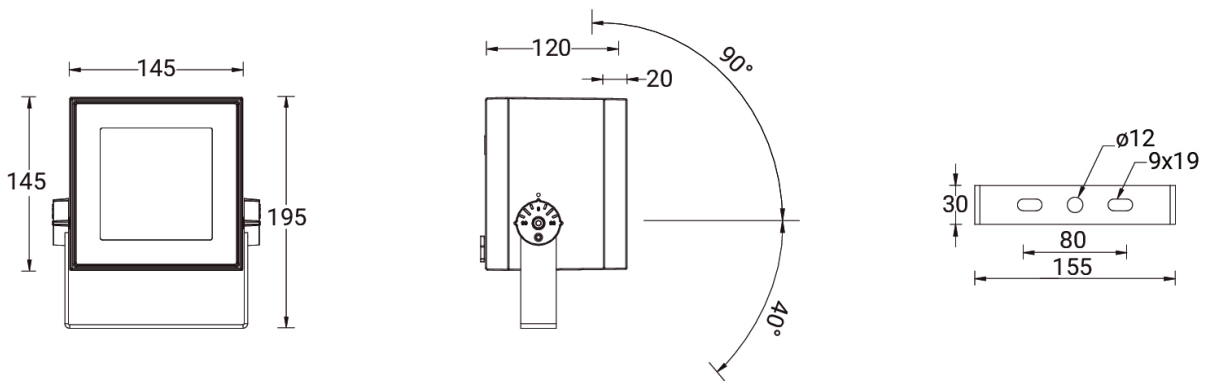
Technical information

Material	Aluminium
Light source	16 LED
Power	28 W
Lumen	1322 - 1600 lm
Efficacy	47 - 57 lm/W
Driver option	Integral control gear
Driver	Constant voltage (CV)
Input voltage	220-240 V 50/60 Hz

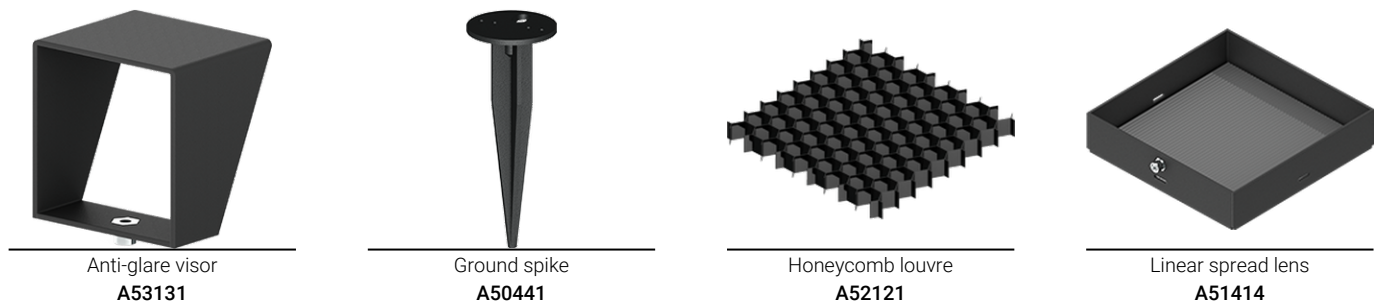
Optic	N, M, W, VW, E
Optic value	8°, 17°, 26°, 65°, 43°x11°
CCT / CRI	RGBW30, RGBW40
Bug	B1-U0-G0
ULR	0%
ULOR	0%
CIE flux code n°3	100
Dimming type	DMX, DMX/RDM

Product colours	Black, Dark Grey, White, Matt Silver, Bronze, Concrete - Urban, Softscape - Urban, Stone - Urban, Corten - Urban, Oak - Woodland, Walnut - Woodland, Pine - Woodland
Weight	3 kg
Operating temperature	-20 °C to 40 °C
Cable	One IP68 connector supplied with 0.2 m of 8x0.5 sqmm outdoor cable
Through wiring	Single cable entry
Lens / Reflector / Optic	High-efficiency PMMA lens, Clear toughened glass
Variants (DMX/RDM)	Compatible with EN/ IEC 60598-2-22: Suitable for emergency installations as central supply, non-maintained (Z0)

LD-50032



Accessories



LADOR 4 (LD-50032)

DMX Control System
Control-DMX



DMX/RDM Control System
Control-DMX-RDM

Please contact the factory for technical details if you wish to use Anti-glare accessories, Colour filters, Lenses and slip glasses in combination.