

LADOR 29 (LD-50171)



Product description

Bracket mounted - Integral control gear - 83x83 mm - Class I



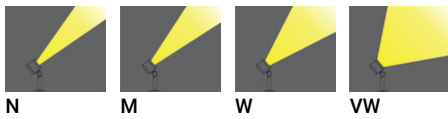
Luminaire Structure

- Die-cast aluminium housing
- Pre-treated before powder coating ensuring high corrosion resistance
- Thermal heat dissipation body
- Adjustable: Tilt 80° (Up) & 40° (Down), Rotation 350°

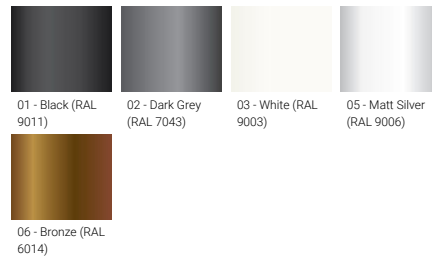
- Single cable entry
- Stainless steel fasteners in grade 304 with zinc flake coating (ZFC)
- Durable silicone rubber gasket
- High-efficiency PMMA lens

- Clear toughened glass
- Integral control gear

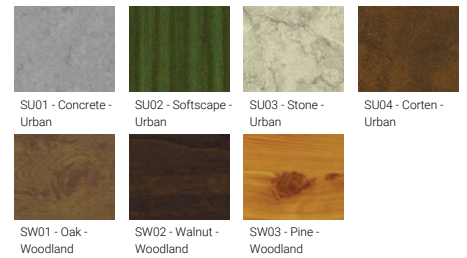
Optic



Product colour



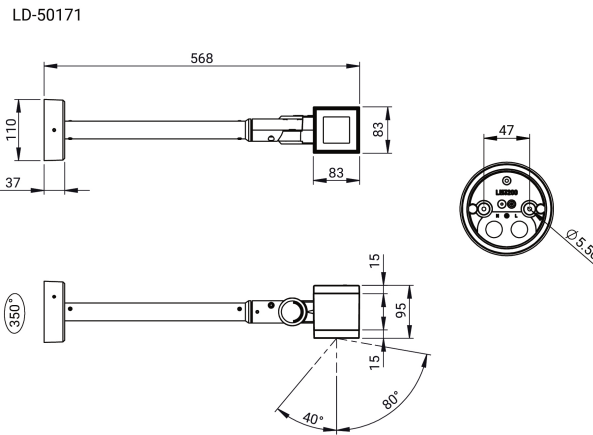
Special finishes upon request



LADOR 29 (LD-50171)

Technical information

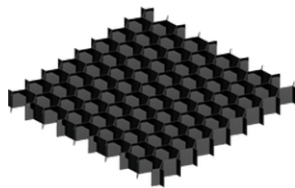
Material	Aluminium	Optic value	10°, 16°, 34°, 68°, 43°x11°	Operating temperature	-20 °C to 40 °C
Light source	4 LED	CCT / CRI	3000K CRI80, 4000K CRI80	Through wiring	Single cable entry
Power	10 W	Bug	B1-U0-G0, B2-U0-G0	Lens / Reflector / Optic	High-efficiency PMMA lens, Clear toughened glass
Lumen	906 - 1112 lm	ULR	0%	MacAdam Ellipse	3 SDCM
Efficacy	91 - 111 lm/W	ULOR	0%	Lifetime L90B10 (hours)	> 120,000
Driver option	Integral control gear	CIE flux code n°3	100	Lifetime L80B10 (hours)	> 120,000
Driver	Constant current (CC)	Dimming type	On/Off	Lifetime L80B50 (hours)	> 120,000
Input voltage	220-240 V 50/60 Hz	Product colours	Black, Dark Grey, White, Matt Silver, Bronze, Concrete - Urban, Softscape - Urban, Stone - Urban, Corten - Urban, Oak - Woodland, Walnut - Woodland, Pine - Woodland	Variants (On/Off)	Compatible with EN/ IEC 60598-2-22: Suitable for emergency installations as central supply, non-maintained (Z0)
Optic	N, M, W, VW, E				
Weight	2 kg				



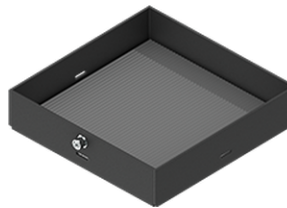
Accessories



Ground spike
A51041



Honeycomb louvre
A51921



Linear spread lens
A51214



Anti-glare visor
A52931

Please contact the factory for technical details if you wish to use Anti-glare accessories, Colour filters, Lenses and slip glasses in combination.