

**LADOR 44 (LD-50221)**



**Product description**

Integral control gear - 121x121 mm - Class I - RGBW



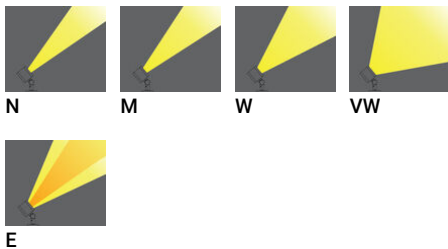
**Luminaire Structure**

- Die-cast aluminium housing
- Pre-treated before powder coating ensuring high corrosion resistance
- Thermal heat dissipation body
- Adjustable: Tilt 80° (Up) & 40° (Down), Rotation 350°

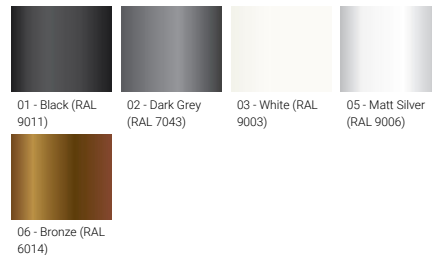
- Single cable entry
- Stainless steel fasteners in grade 304 with zinc flake coating (ZFC)
- Durable silicone rubber gasket
- High-efficiency PMMA lens

- Clear toughened glass
- Integral control gear

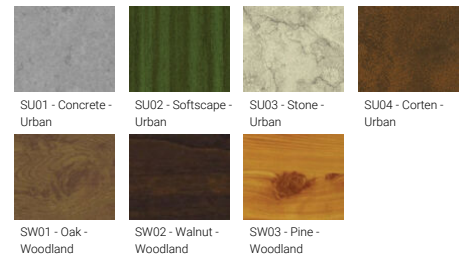
**Optic**



**Product colour**



**Special finishes upon request**

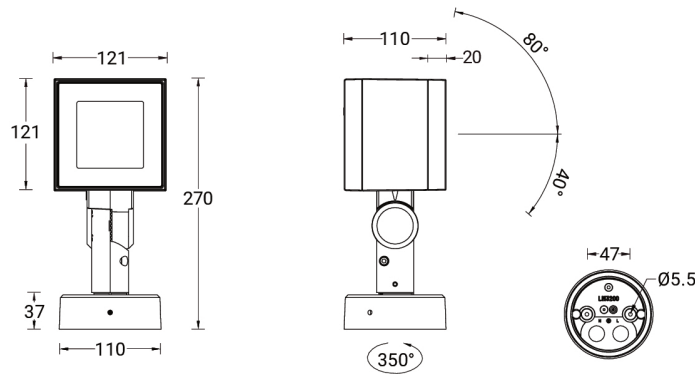


**LADOR 44 (LD-50221)**

**Technical information**

<b>Material</b>	Aluminium	<b>Input voltage</b>	220-240 V 50/60 Hz	<b>CIE flux code n°3</b>	100
<b>Light source</b>	8 LED	<b>Optic</b>	N, M, W, VW, E	<b>Dimming type</b>	DMX, DMX/RDM
<b>Power</b>	22 W	<b>Optic value</b>	8°, 17°, 26°, 65°, 43°x11°	<b>Product colours</b>	Black, Dark Grey, White, Matt Silver, Bronze, Concrete - Urban, Softscape - Urban, Stone - Urban, Corten - Urban, Oak - Woodland, Walnut - Woodland, Pine - Woodland
<b>Lumen</b>	853 - 1133 lm	<b>CCT / CRI</b>	RGBW30, RGBW40		
<b>Efficacy</b>	39 - 52 lm/W	<b>Bug</b>	B1-U0-G0	<b>Weight</b>	2.8 kg
<b>Driver option</b>	Integral control gear	<b>ULR</b>	0%	<b>Operating temperature</b>	-20 °C to 40 °C
<b>Driver</b>	Constant current (CC)	<b>ULOR</b>	0%	<b>Through wiring</b>	Single cable entry
				<b>Lens / Reflector / Optic</b>	High-efficiency PMMA lens, Clear toughened glass

LD-50221



**Accessories**



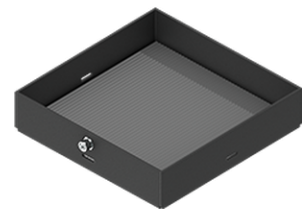
DMX Control System  
Control-DMX



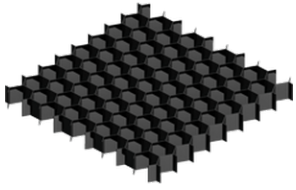
DMX/RDM Control System  
Control-DMX-RDM



Ground spike  
A51041



Linear spread lens  
A51314

**LADOR 44** (LD-50221)

Honeycomb louvre  
**A52021**



Anti-glare visor  
**A53031**



Mounting belt  
**A50291**

Please contact the factory for technical details if you wish to use Anti-glare accessories, Colour filters, Lenses and slip glasses in combination.