

LADOR 46 (LD-50241) (Version 1)



Product description

Bracket mounted - With remote driver IP-rated - Constant voltage (CV) 24 V - 62x62 mm - Class III - RGBW



microPrim™

Luminaire Structure

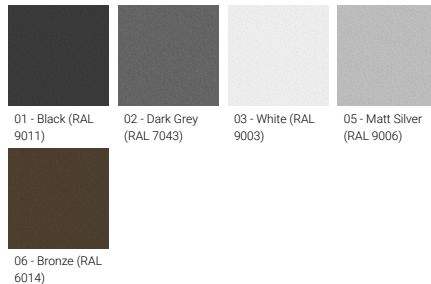
- Die-cast aluminium housing
- Pre-treated before powder coating ensuring high corrosion resistance
- Thermal heat dissipation body
- Adjustable: Tilt 80° (Up) & 40° (Down), Rotation 350°
- Single cable entry
- Stainless steel fasteners in grade 304 with zinc flake coating (ZFC)
- Durable silicone rubber gasket
- High-efficiency PMMA lens
- Clear toughened glass
- Remote driver (included)

Optic

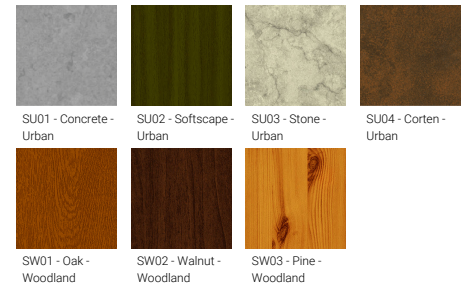


M

Product colour



Special finishes upon request



LADOR 46 (LD-50241) (Version 1)

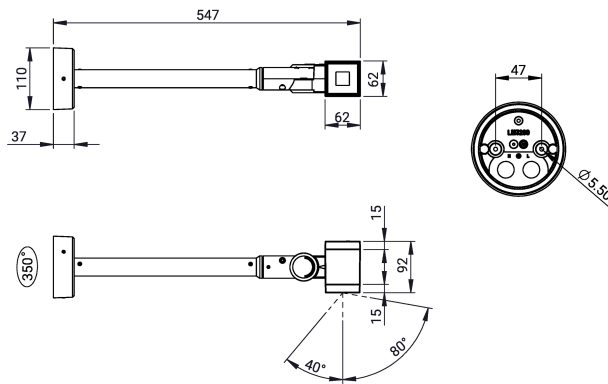
Technical information

Material	Aluminium
Light source	1 LED
Power	4 W
Lumen	166 - 170 lm
Efficacy	42 - 43 lm/W
Driver option	Remote driver (included)
Driver	Constant voltage (CV)

Input voltage	24 VDC
Optic	M
Optic value	34°
CCT / CRI	RGBW30, RGBW40
Dimming type	DMX, DMX/RDM
Product colours	Black, Dark Grey, White, Matt Silver, Bronze, Concrete - Urban, Softscape - Urban, Stone - Urban, Corten - Urban, Oak - Woodland, Walnut - Woodland, Pine - Woodland
Weight	1.6 kg

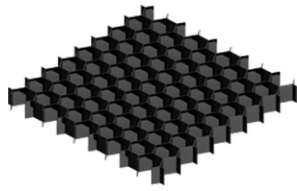
Operating temperature	-20 °C to 40 °C
EPA (m2)	0.034
Through wiring	Single cable entry
Lens / Reflector / Optic	High-efficiency PMMA lens, Clear toughened glass
Variants (DMX/RDM)	Compatible with EN/ IEC 60598-2-22: Suitable for emergency installations as central supply, non-maintained (Z0)

LD-50241



LADOR 46 (LD-50241) (Version 1)**Accessory**

Anti-glare visor
A52831



Honeycomb louvre
A51821



Linear spread lens
A51114



DMX Control System
Control-DMX



DMX/RDM Control System
Control-DMX-RDM



Ground spike
A51041

Please contact the factory for technical details if you wish to use Anti-glare accessories, Colour filters, Lenses and slip glasses in combination.