

LADOR 47 (LD-50251) (Version 1)



Product description

Bracket mounted - With remote driver IP-rated - Constant voltage (CV) 24 V - 82x82 mm - Class III - RGBW



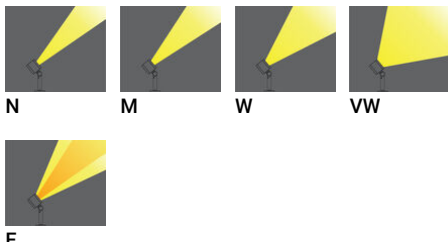
Luminaire Structure

- Die-cast aluminium housing
- Pre-treated before powder coating ensuring high corrosion resistance
- Thermal heat dissipation body
- Adjustable: Tilt 80° (Up) & 40° (Down), Rotation 350°

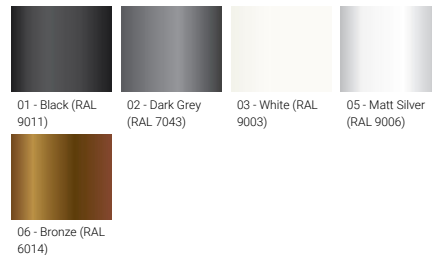
- Single cable entry
- Stainless steel fasteners in grade 304 with zinc flake coating (ZFC)
- Durable silicone rubber gasket
- High-efficiency PMMA lens

- Clear toughened glass
- Remote driver (included)

Optic



Product colour



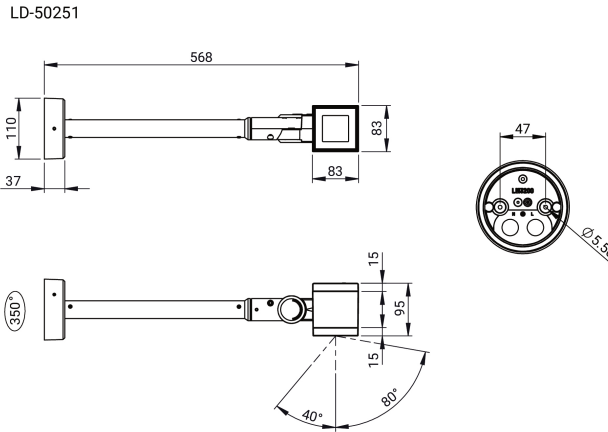
Special finishes upon request



LADOR 47 (LD-50251) (Version 1)

Technical information

Material	Aluminium	Optic	N, M, W, VW, E	Product colours	Black, Dark Grey, White, Matt Silver, Bronze, Concrete - Urban, Softscape - Urban, Stone - Urban, Corten - Urban, Oak - Woodland, Walnut - Woodland, Pine - Woodland
Light source	4 LED	Optic value	8°, 17°, 26°, 65°, 43°x11°	Weight	2.0 kg
Power	10 W	CCT / CRI	RGBW30, RGBW40	Operating temperature	-20 °C to 40 °C
Lumen	406 - 520 lm	Bug	B1-U0-G0	Through wiring	Single cable entry
Efficacy	41 - 52 lm/W	ULR	0%	Lens / Reflector / Optic	High-efficiency PMMA lens, Clear toughened glass
Driver option	Remote driver (included)	ULOR	0%	Variants (DMX/RDM)	Compatible with EN/ IEC 60598-2-22: Suitable for emergency installations as central supply, non-maintained (Z0)
Driver	Constant voltage (CV)	CIE flux code n°3	100		
Input voltage	24 VDC	Dimming type	DMX, DMX/RDM		



Accessories

DMX CONTROL

DMX Control System
Control-DMX

DMX RDM CONTROL

DMX/RDM Control System
Control-DMX-RDM

Linear spread lens
A51214

Honeycomb louvre
A51921

Please contact the factory for technical details if you wish to use Anti-glare accessories, Colour filters, Lenses and slip glasses in combination.