

LADOR 48 (LD-50261)



Product description

Bracket mounted - Integral control gear - 121x121 mm
 - Class I - RGBW



Luminaire Structure

- Die-cast aluminium housing
- Pre-treated before powder coating ensuring high corrosion resistance
- Thermal heat dissipation body
- Adjustable: Tilt 80° (Up) & 40° (Down), Rotation 350°

- Single cable entry
- Stainless steel fasteners in grade 304 with zinc flake coating (ZFC)
- Durable silicone rubber gasket
- High-efficiency PMMA lens

- Clear toughened glass
- Integral control gear

Optic



N M W VW



E

Product colour

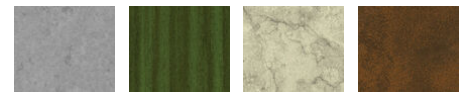


01 - Black (RAL 9011) 02 - Dark Grey (RAL 7043) 03 - White (RAL 9003) 05 - Matt Silver (RAL 9006)



06 - Bronze (RAL 6014)

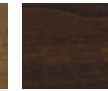
Special finishes upon request



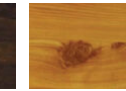
SU01 - Concrete - Urban SU02 - Softscape - Urban SU03 - Stone - Urban SU04 - Corten - Urban



SW01 - Oak - Woodland



SW02 - Walnut - Woodland

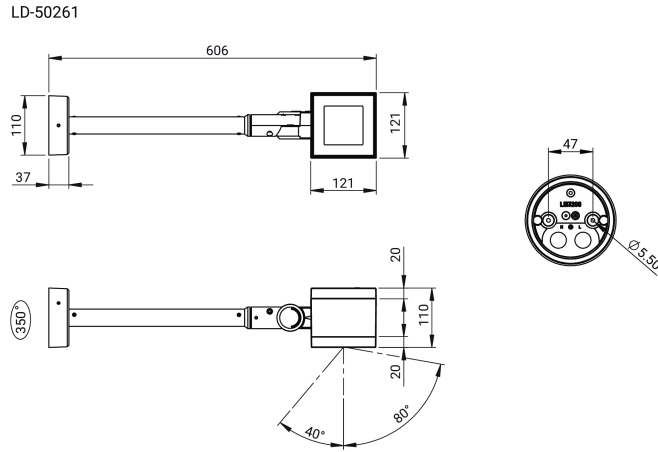


SW03 - Pine - Woodland

LADOR 48 (LD-50261)

Technical information

Material	Aluminium	Optic	N, M, W, VW, E	Product colours	Black, Dark Grey, White, Matt Silver, Bronze, Concrete - Urban, Softscape - Urban, Stone - Urban, Corten - Urban, Oak - Woodland, Walnut - Woodland, Pine - Woodland
Light source	8 LED	Optic value	8°, 17°, 26°, 65°, 43°x11°		
Power	22 W	CCT / CRI	RGBW30, RGBW40	Weight	3.2 kg
Lumen	853 - 1133 lm	Bug	B1-U0-G0		
Efficacy	284 - 378 lm/W	ULR	0%	Operating temperature	-20 °C to 40 °C
Driver option	Integral control gear	ULOR	0%		
Driver	Constant current (CC)	CIE flux code n°3	100	Through wiring	Single cable entry
Input voltage	220-240 V 50/60 Hz	Dimming type	DMX, DMX/RDM		
				Lens / Reflector / Optic	High-efficiency PMMA lens, Clear toughened glass
				Variants (DMX/RDM)	Compatible with EN/ IEC 60598-2-22: Suitable for emergency installations as central supply, non-maintained (Z0)



Accessories

DMX CONTROL

DMX Control System
Control-DMX

DMX RDM CONTROL

DMX/RDM Control System
Control-DMX-RDM

Linear spread lens
A51314

Honeycomb louvre
A52021

LADOR 48 (LD-50261)

Anti-glare visor
A53031



Ground spike
A51041

Please contact the factory for technical details if you wish to use Anti-glare accessories, Colour filters, Lenses and slip glasses in combination.