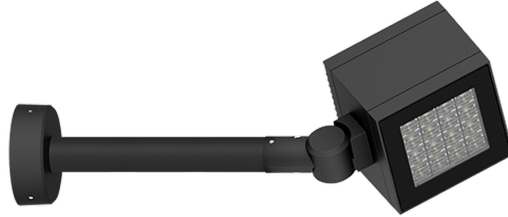


LADOR 49 (LD-50271)



Product description

Bracket mounted - Integral control gear - 146x146 mm
 - Class I - RGBW



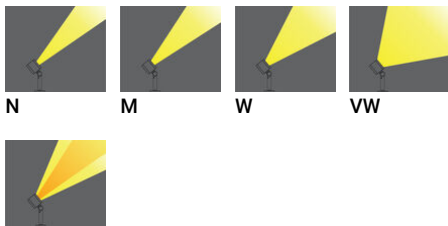
Luminaire Structure

- Die-cast aluminium housing
- Pre-treated before powder coating ensuring high corrosion resistance
- Thermal heat dissipation body
- Adjustable: Tilt 80° (Up) & 40° (Down), Rotation 350°

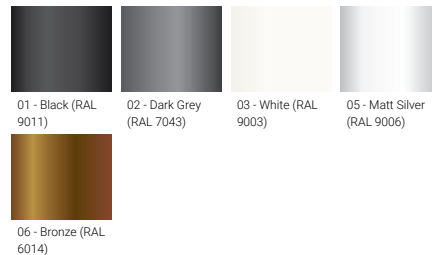
- Single cable entry
- Stainless steel fasteners in grade 304 with zinc flake coating (ZFC)
- Durable silicone rubber gasket
- High-efficiency PMMA lens

- Clear toughened glass
- Integral control gear

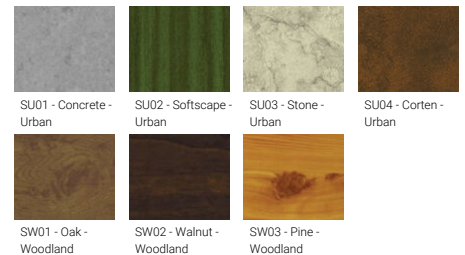
Optic



Product colour



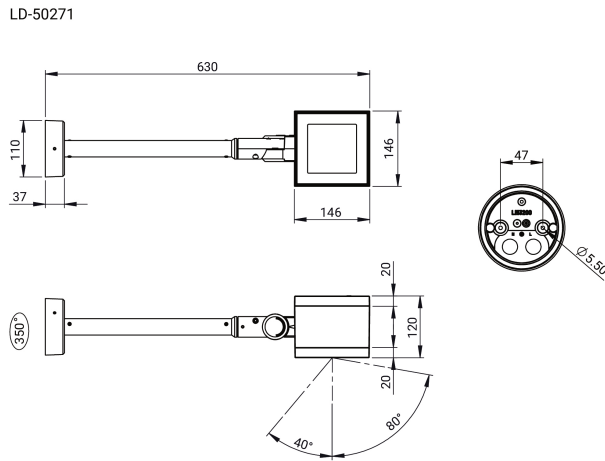
Special finishes upon request



LADOR 49 (LD-50271)

Technical information

Material	Aluminium	Optic	N, M, W, VW, E	Product colours	Black, Dark Grey, White, Matt Silver, Bronze, Concrete - Urban, Softscape - Urban, Stone - Urban, Corten - Urban, Oak - Woodland, Walnut - Woodland, Pine - Woodland
Light source	16 LED	Optic value	8°, 17°, 26°, 65°, 43°x11°	Weight	4.0 kg
Power	28 W	CCT / CRI	RGBW30, RGBW40	Operating temperature	-20 °C to 40 °C
Lumen	1322 - 1600 lm	Bug	B1-U0-G0	Through wiring	Single cable entry
Efficacy	47 - 57 lm/W	ULR	0%	Lens / Reflector / Optic	High-efficiency PMMA lens, Clear toughened glass
Driver option	Integral control gear	ULOR	0%	Variants (DMX/RDM)	Compatible with EN/ IEC 60598-2-22: Suitable for emergency installations as central supply, non-maintained (Z0)
Driver	Constant current (CC)	CIE flux code n°3	100		
Input voltage	220-240 V 50/60 Hz	Dimming type	DMX, DMX/RDM		



Accessories

DMX CONTROL

DMX Control System
Control-DMX

DMX RDM CONTROL

DMX/RDM Control System
Control-DMX-RDM

Linear spread lens
A51414

Honeycomb louvre
A52121

LADOR 49 (LD-50271)

Anti-glare visor
A53131



Ground spike
A51041



Anti-glare visor
A52931

Please contact the factory for technical details if you wish to use Anti-glare accessories, Colour filters, Lenses and slip glasses in combination.