

LADOR 33 (LD-80051) (Version 1)



Product description

With remote driver IP-rated - Constant voltage (CV) 24 V - 82x82 mm - Class III - RGBW



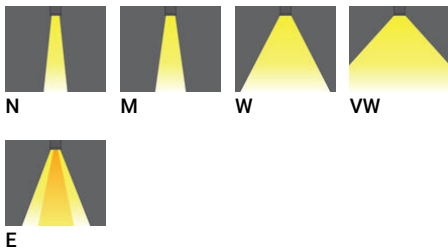
Luminaire Structure

- Die-cast aluminium housing
- Pre-treated before powder coating ensuring high corrosion resistance
- Single cable entry, through wiring upon request
- One cable gland supplied with 0.2 m of 8x0.5 sqmm outdoor cable

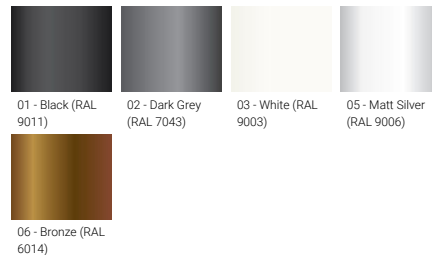
- Stainless steel fasteners in grade 304 with zinc flake coating (ZFC)
- Durable silicone rubber gasket
- Clear toughened glass
- High-efficiency PMMA lens

- Remote driver (included)

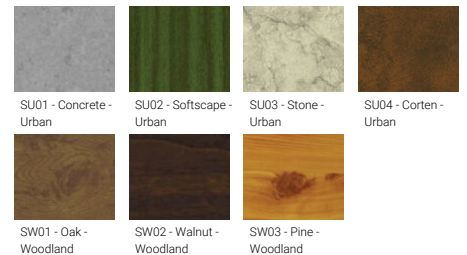
Optic



Product colour



Special finishes upon request



LADOR 33 (LD-80051) (Version 1)

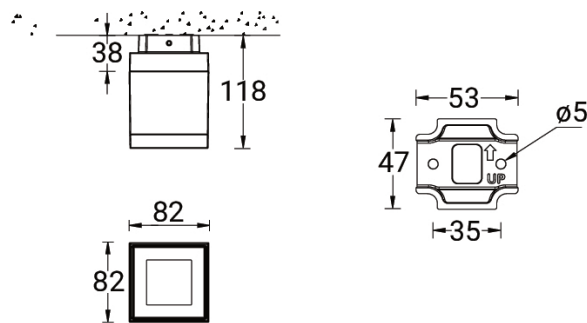
Technical information

Material	Aluminium
Light source	4 LED
Power	10 W
Lumen	406 - 520 lm
Efficacy	41 - 52 lm/W
Driver option	Remote driver (included)
Driver	Constant voltage (CV)
Input voltage	24 VDC

Optic	N, M, W, VW, E
Optic value	8°, 17°, 26°, 65°, 43°x11°
CCT / CRI	RGBW30, RGBW40
Bug	B1-U0-G0
ULR	0%
ULOR	0%
CIE flux code n°3	100
Dimming type	DMX, DMX/RDM

Product colours	Black, Dark Grey, White, Matt Silver, Bronze, Concrete - Urban, Softscape - Urban, Stone - Urban, Corten - Urban, Oak - Woodland, Walnut - Woodland, Pine - Woodland
Weight	1.1 kg
Operating temperature	-20 °C to 40 °C
Cable	One cable gland supplied with 0.2 m of 8x0.5 sqmm outdoor cable
Through wiring	Single cable entry, through wiring upon request
Lens / Reflector / Optic	Clear toughened glass, High-efficiency PMMA lens
Variants (DMX/RDM)	Compatible with EN/ IEC 60598-2-22: Suitable for emergency installations as central supply, non-maintained (Z0)

LD-80051



Accessories



DMX Control System
Control-DMX



DMX/RDM Control System
Control-DMX-RDM