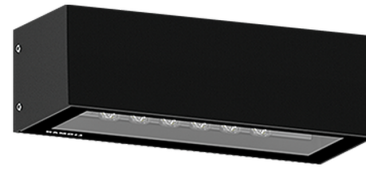


LEEDS 5 (LEE-30051)



Product description

Down (Optic) & Up (Optic 2nd) - Rectangular



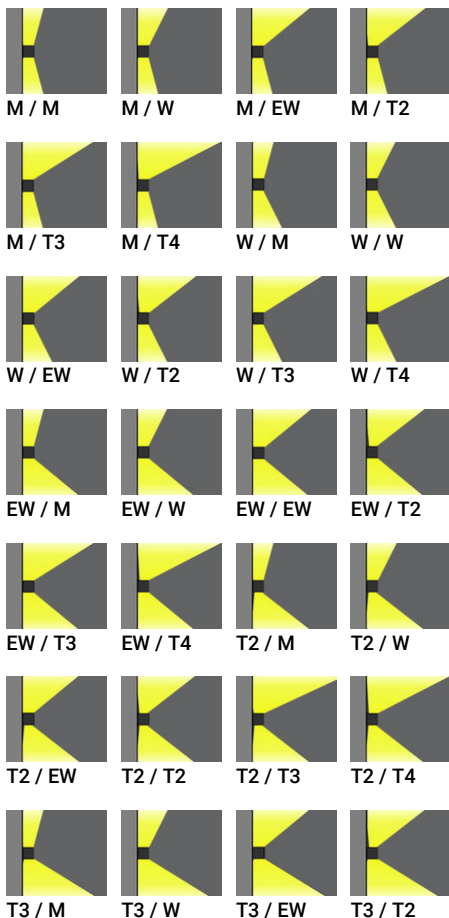
Luminaire Structure

- Die-cast aluminium housing and frame
- Pre-treated before powder coating ensuring high corrosion resistance
- Single cable entry, through wiring upon request
- Stainless steel fasteners in grade 304 with zinc flake coating (ZFC)

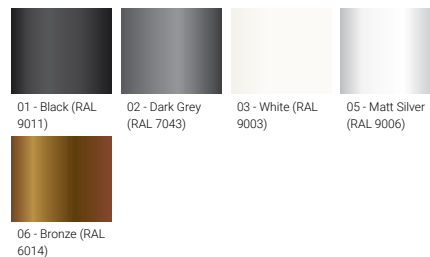
- Durable silicone rubber gasket
- Clear toughened glass
- High-efficiency PMMA lens
- Integral control gear

- Optional surface mounting box for easy wiring or conduit connection when wiring from behind is not possible

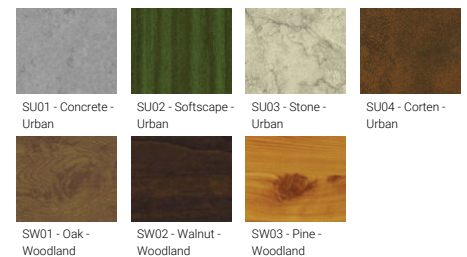
Optic



Product colour



Special finishes upon request



We reserve the right to make technical and design changes.

05:06, 15-05-2024

<https://www.ligman.com/leeds-5-lee-30051/>

THAILAND
 LIGMAN Lighting Co.,Ltd.
 17/2 Moo 4, Monthong, Bang Nam Prio, 24150 Chachoengsao - Thailand
info@ligman.com

LEEDS 5 (LEE-30051)**T3 / T3** **T3 / T4** **T4 / M** **T4 / W****T4 / EW** **T4 / T2** **T4 / T3** **T4 / T4****ME / M** **ME / W** **ME / EW** **ME / T2****ME / T3** **ME / T4**

LEEDS 5 (LEE-30051)

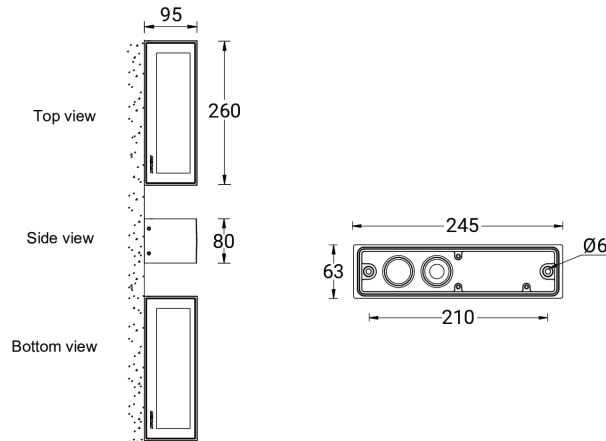
Technical information

Material	Aluminium
Light source	12 & 12 LED
Power	39 W
Lumen	4090 - 4844 lm
Efficacy	104 - 123 lm/W
Driver option	Integral control gear
Driver	Constant current (CC)
Input voltage	220-240 V 50/60 Hz
Optic	M, W, EW, T2, T3, T4, ME
Optic value	30°, 56°, 109°x102°, 137°x58°, 124°x86°, 108°x66°, 140°x62°

Optic (2nd)	M, W, EW, T2, T3, T4
Optic (2nd) value	30°, 56°, 109°x102°, 137°x58°, 124°x86°, 108°x66°
CCT / CRI	3000K CRI80, 4000K CRI80
Bug	B1-U5-G0, B1-U5-G1, B2-U5-G0
ULR	47%, 48%, 49%, 50%, 51%, 52%, 53%
ULOR	47%, 48%, 49%, 50%, 51%, 52%, 53%
CIE flux code n°3	100, 97, 98, 99
Dimming type	On/Off
Product colours	Black, Dark Grey, White, Matt Silver, Bronze, Concrete - Urban, Softscape - Urban, Stone - Urban, Corten - Urban, Oak - Woodland, Walnut - Woodland, Pine - Woodland
Weight	2.0 kg

Operating temperature	-20 °C to 40 °C
Through wiring	Single cable entry, through wiring upon request
Lens / Reflector / Optic	Clear toughened glass, High-efficiency PMMA lens
MacAdam Ellipse	3 SDCM
Lifetime L90B10 (hours)	> 90,000
Lifetime L80B10 (hours)	> 90,000
Lifetime L80B50 (hours)	> 90,000
Variants (On/Off)	Compatible with EN/ IEC 60598-2-22: Suitable for emergency installations as central supply, non-maintained (Z0)

LEE-30051



Accessories



Surface mounting box for easy cabling (LEEDS 5)
SCE-LEEDS-5