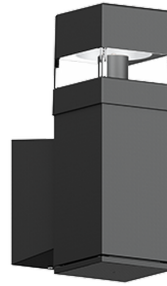


LIGHTSOFT 6 (LH-31156)



Product description

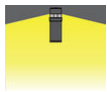
Square



Luminaire Structure

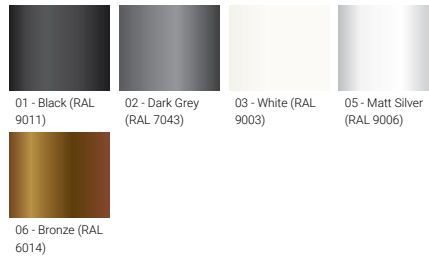
- Die-cast aluminium housing
- Extruded aluminium column
- Pre-treated before powder coating ensuring high corrosion resistance
- Single cable entry
- Stainless steel fasteners in grade 304 with zinc flake coating (ZFC)
- Durable silicone rubber gasket
- Clear UV-stabilised polycarbonate diffuser
- Anodised, high-purity aluminium reflector
- Integral control gear
- Optional surface mounting box for easy wiring or conduit connection when wiring from behind is not possible

Optic

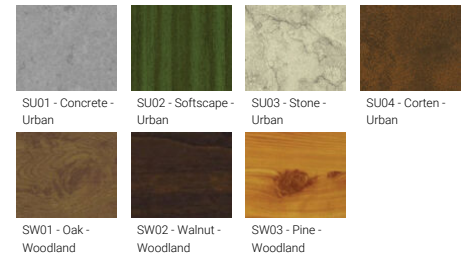


G

Product colour



Special finishes upon request

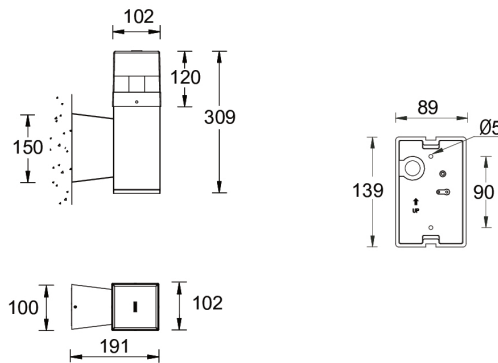


LIGHTSOFT 6 (LH-31156)

Technical information

Material	Aluminium	Optic	G	Product colours	Black, Dark Grey, White, Matt Silver, Bronze, Concrete - Urban, Softscape - Urban, Stone - Urban, Corten - Urban, Oak - Woodland, Walnut - Woodland, Pine - Woodland
Light source	1 COB	Optic value	120°	Weight	2.8 kg
Power	14 W	CCT / CRI	3000K CRI80, 4000K CRI80	Operating temperature	-20 °C to 40 °C
Lumen	329 - 346 lm	Bug	B0-U2-G0	Through wiring	Single cable entry
Efficacy	24 - 25 lm/W	ULR	14%	Lens / Reflector / Optic	Clear UV-stabilised polycarbonate diffuser, Anodised, high-purity aluminium reflector
Driver option	Integral control gear	ULOR	14%	MacAdam Ellipse	3 SDCM
Driver	Constant current (CC)	CIE flux code n°3	88	Lifetime L90B10 (hours)	> 55,000
Input voltage	220-240 V 50/60 Hz	Dimming type	On/Off, 1-10V, DALI	Variants (On/Off, 1-10V, DALI)	Compatible with EN/ IEC 60598-2-22: Suitable for emergency installations as central supply, non-maintained (Z0)

LH-31156



Accessories



Surface mounting box for easy cabling (LIGHTSOFT 6)
SCE-LIGHTSOFT-6



DALI Control System
Control-DALI