

LIGHT LINEAR PT 5 (LI-21183-LC)



Product description

2 sides - Supplied with specific square, straight aluminium pole - Height options: 3 - 6 m - LIGHTCONNECT™



Luminaire Structure

- Die-cast aluminium housing
- Extruded aluminium column
- Pre-treated before powder coating ensuring high corrosion resistance
- Single cable entry
- Stainless steel fasteners in grade 304 with zinc flake coating (ZFC)
- Durable silicone rubber gasket
- Clear toughened glass
- High-efficiency polycarbonate lens
- Integral control gear
- Maximum wind load resistance is 100 km/h
- Surge protection 10kV

Optic



T2 T3 T4

Product colour

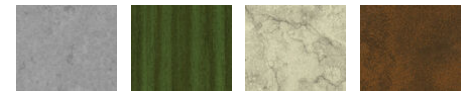


01 - Black (RAL 9011) 02 - Dark Grey (RAL 7043) 03 - White (RAL 9003) 05 - Matt Silver (RAL 9006)



06 - Bronze (RAL 6014)

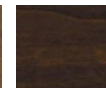
Special finishes upon request



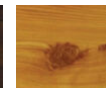
SU01 - Concrete - Urban SU02 - Softscape - Urban SU03 - Stone - Urban SU04 - Corten - Urban



SW01 - Oak - Woodland



SW02 - Walnut - Woodland

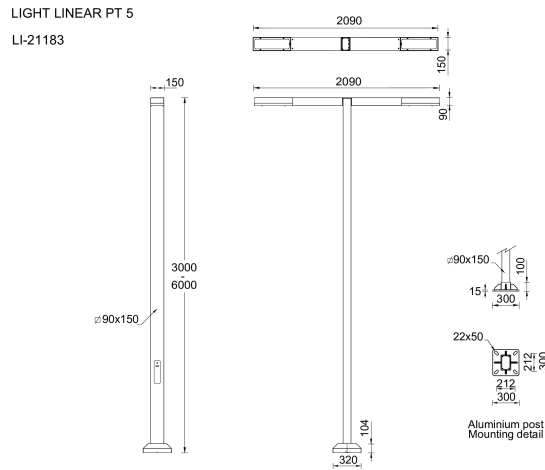


SW03 - Pine - Woodland

LIGHT LINEAR PT 5 (LI-21183-LC)

Technical information

Material	Aluminium	Optic	T2, T3, T4	Product colours	Black, Dark Grey, White, Matt Silver, Bronze, Concrete - Urban, Softscape - Urban, Stone - Urban, Corten - Urban, Oak - Woodland, Walnut - Woodland, Pine - Woodland
Light source	2 x 24 LED	Optic value	139°x53°, 132°x70°, 91°x75°	Weight	36.8 kg
Power	164 W	CCT / CRI	3000K CRI80, 4000K CRI80	Operating temperature	-20 °C to 40 °C
Lumen	14952 - 16896 lm	Bug	B1-U0-G1	Through wiring	Single cable entry
Efficacy	91 - 103 lm/W	ULR	0%	Lens / Reflector / Optic	Clear toughened glass, High-efficiency polycarbonate lens
Driver option	Integral control gear	ULOR	0%	Variants (DALI)	Compatible with EN/ IEC 60598-2-22: Suitable for emergency installations as central supply, non-maintained (Z0)
Driver	Constant current (CC)	CIE flux code n°3	98		
Input voltage	220-240 V 50/60 Hz	Dimming type	DALI		



Accessories



Circuit breaker box IP44
A21291



Root mount kit
A20891



Zhaga Book 18 socket (Down)
A90991-D



Zhaga Book 18 socket (Up)
A90991-U

LIGHT LINEAR PT 5 (LI-21183-LC)

Motion sensor - PIR - DALI - Up
to 12 m
A91691-L7



Motion sensor - PIR - DALI - Up
to 3 m
A91691-L2



NEMA 7 socket
A90891



Internal cable support for pole 3
m
A23991



Internal cable support for pole 4
m
A24091



Internal cable support for pole 5
m
A24191



Internal cable support for pole 6
m
A24291



3 m - Square, straight aluminium
pole for LIGHT LINEAR PT - 2
sides
APC230090-PT5-LI-21183



4 m - Square, straight aluminium
pole for LIGHT LINEAR PT - 2
sides
APC240090-PT5-LI-21183



5 m - Square, straight aluminium
pole for LIGHT LINEAR PT - 2
sides
APC250090-PT5-LI-21183



6 m - Square, straight aluminium
pole for LIGHT LINEAR PT - 2
sides
APC260090-PT5-LI-21183



DALI Control System
Control-DALI