

**LIGHT LINEAR PT 6 (LI-21321)**



**Product description**

2 sides - Supplied with specific square, straight aluminium pole - Height options: 3 - 6 m



**Luminaire Structure**

- Die-cast aluminium housing
- Extruded aluminium column
- Pre-treated before powder coating ensuring high corrosion resistance
- Single cable entry
- Stainless steel fasteners in grade 304 with zinc flake coating (ZFC)
- Durable silicone rubber gasket
- Clear toughened glass
- High-efficiency polycarbonate lens
- Integral control gear
- Maximum wind load resistance is 100 km/h
- Surge protection 10kV

**Optic**



**T2      T3      T4**

**Product colour**

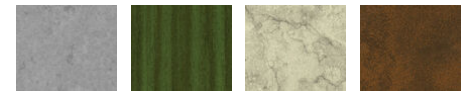


01 - Black (RAL 9011)    02 - Dark Grey (RAL 7043)    03 - White (RAL 9003)    05 - Matt Silver (RAL 9006)



06 - Bronze (RAL 6014)

**Special finishes upon request**



SU01 - Concrete - Urban    SU02 - Softscape - Urban    SU03 - Stone - Urban    SU04 - Corten - Urban

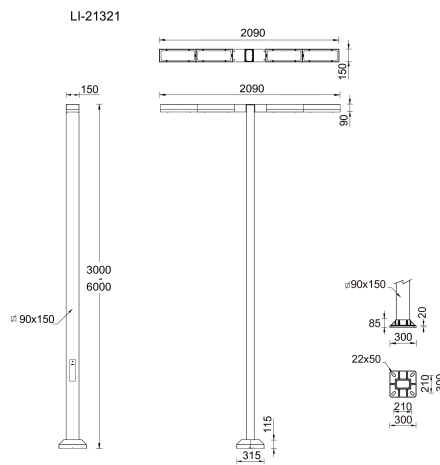


SW01 - Oak - Woodland    SW02 - Walnut - Woodland    SW03 - Pine - Woodland

**LIGHT LINEAR PT 6 (LI-21321)**

**Technical information**

<b>Material</b>	Aluminium	<b>Input voltage</b>	220-240 V 50/60 Hz	<b>CIE flux code n°3</b>	98
<b>Light source</b>	2 x 48 LED	<b>Optic</b>	T2, T3, T4	<b>Dimming type</b>	On/Off, 1-10V, DALI
<b>Power</b>	310 W	<b>Optic value</b>	139°x53°, 132°x70°, 91°x75°	<b>Product colours</b>	Black, Dark Grey, White, Matt Silver, Bronze, Concrete - Urban, Softscape - Urban, Stone - Urban, Corten - Urban, Oak - Woodland, Walnut - Woodland, Pine - Woodland
<b>Lumen</b>	29698 - 33782 lm	<b>CCT / CRI</b>	3000K, 4000K		
<b>Efficacy</b>	96 - 109 lm/W	<b>Bug</b>	B2-U0-G2, B3-U0-G3		
<b>Driver option</b>	Integral control gear	<b>ULR</b>	0%	<b>Weight</b>	40.8 kg
<b>Driver</b>	Constant current (CC)	<b>ULOR</b>	0%	<b>Operating temperature</b>	-20 °C to 50 °C
				<b>Through wiring</b>	Single cable entry
				<b>Lens / Reflector / Optic</b>	Clear toughened glass, High-efficiency polycarbonate lens



**Accessories**



Motion sensor - PIR - 1-10V - Up to 3 m  
**A90191-L2**



Motion sensor - PIR - 1-10V - Up to 6 m  
**A90191-L3**



Motion sensor - PIR - 1-10V - Up to 12 m  
**A90191-L7**



Root mount kit  
**A20891**

**LIGHT LINEAR PT 6 (LI-21321)**

Circuit breaker box IP44  
**A21291**



Internal cable support for pole 3  
m  
**A23991**



Internal cable support for pole 4  
m  
**A24091**



Internal cable support for pole 5  
m  
**A24191**



Internal cable support for pole 6  
m  
**A24291**



3 m - Square, straight aluminium  
pole for LIGHT LINEAR PT - 2  
sides  
**APC230090-PT6-LI-21321**



4 m - Square, straight aluminium  
pole for LIGHT LINEAR PT - 2  
sides  
**APC240090-PT6-LI-21321**



5 m - Square, straight aluminium  
pole for LIGHT LINEAR PT - 2  
sides  
**APC250090-PT6-LI-21321**



6 m - Square, straight aluminium  
pole for LIGHT LINEAR PT - 2  
sides  
**APC260090-PT6-LI-21321**



Remote controller for the motion  
sensor - 1-10V (A90191)  
**A90791**



DALI Control System  
**Control-DALI**