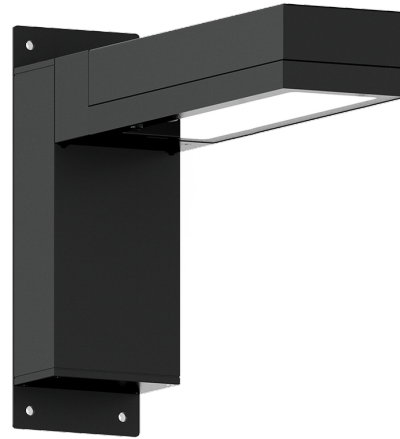


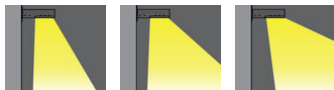
LIGHT LINEAR PT 12 (LI-30011)



Luminaire Structure

- Die-cast aluminium housing
- Pre-treated before powder coating ensuring high corrosion resistance
- Single cable entry
- Stainless steel fasteners in grade 304 with zinc flake coating (ZFC)
- Durable silicone rubber gasket
- Clear toughened glass
- High-efficiency PMMA lens
- Integral control gear

Optic



T2 T3 T4

Product colour

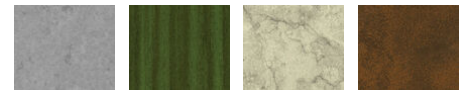


01 - Black (RAL 9011) 02 - Dark Grey (RAL 7043) 03 - White (RAL 9003) 05 - Matt Silver (RAL 9006)



06 - Bronze (RAL 6014)

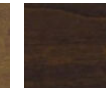
Special finishes upon request



SU01 - Concrete - Urban SU02 - Softscape - Urban SU03 - Stone - Urban SU04 - Corten - Urban



SW01 - Oak - Woodland



SW02 - Walnut - Woodland



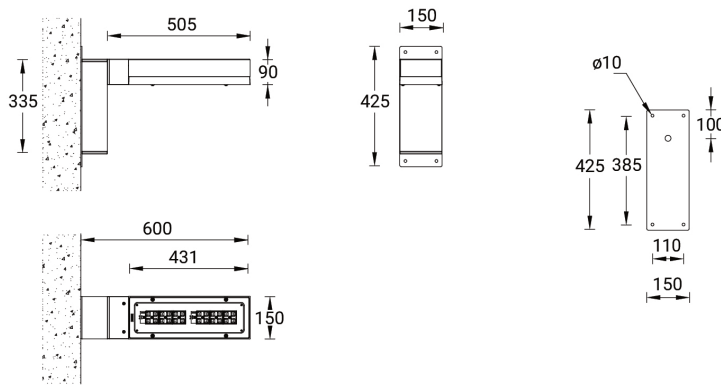
SW03 - Pine - Woodland

LIGHT LINEAR PT 12 (LI-30011)

Technical information

Material	Aluminium	Optic value	139°x52°, 129°x69°, 102°x78°, 127°x56°	Operating temperature	-20 °C to 50 °C
Light source	2 x 12 LED	CCT / CRI	3000K CRI80, 4000K CRI80	Through wiring	Single cable entry
Power	37 W	Bug	B1-U0-G1	Lens / Reflector / Optic	Clear toughened glass, High-efficiency PMMA lens
Lumen	4093 - 4601 lm	ULR	0%	MacAdam Ellipse	3 SDCM
Efficacy	146 - 164 lm/W	ULOR	0%	Lifetime L90B10 (hours)	> 90,000
Driver option	Integral control gear	CIE flux code n°3	98	Lifetime L80B10 (hours)	> 90,000
Driver	Constant current (CC)	Dimming type	On/Off, DALI	Lifetime L80B50 (hours)	> 90,000
Input voltage	220-240 V 50/60 Hz	Product colours	Black, Dark Grey, White, Matt Silver, Bronze, Concrete - Urban, Softscape - Urban, Stone - Urban, Corten - Urban, Oak - Woodland, Walnut - Woodland, Pine - Woodland	Variants (DALI)	Compatible with EN/ IEC 60598-2-22: Suitable for emergency installations as central supply, non-maintained (Z0)
Optic	T2, T3, T4, ME				
		Weight	7.7 kg		

LI-30011



Accessories



DALI Control System
Control-DALI