

LALUNA 2 (LL-20011)



Product description

Normal indirect



Luminaire Structure

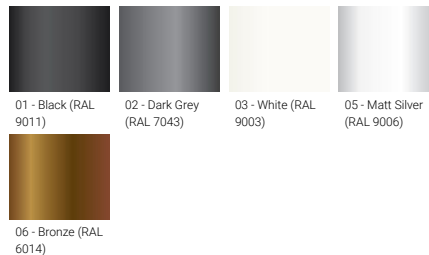
- Die-cast aluminium housing
- Extruded aluminium column
- Pre-treated before powder coating ensuring high corrosion resistance
- Single cable entry
- One IP68 connector supplied with 0.2 m of 3x1.0 sqmm outdoor cable
- Stainless steel fasteners in grade 304 with zinc flake coating (ZFC)
- Durable silicone rubber gasket
- Clear toughened glass
- White coated aluminium reflector on the top of luminaire
- Integral control gear

Optic

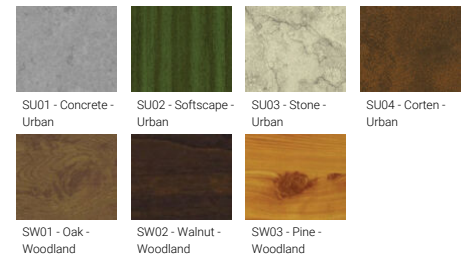


G

Product colour



Special finishes upon request



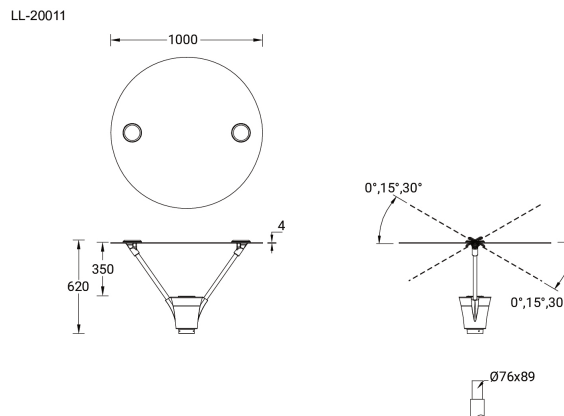
LALUNA 2 (LL-20011)

Technical information

| | |
|----------------------|-----------------------|
| Material | Aluminium |
| Light source | 1 COB |
| Power | 55 W |
| Lumen | 4350 - 4404 lm |
| Efficacy | 79 - 80 lm/W |
| Driver option | Integral control gear |
| Driver | Constant current (CC) |
| Input voltage | 220-240 V 50/60 Hz |
| Optic | G |

| | |
|--------------------------|--|
| Optic value | 127°x 129° |
| CCT / CRI | 3000K CRI80, 4000K CRI80 |
| Bug | B2-U3-G1 |
| ULR | 6% |
| ULOR | 6% |
| CIE flux code n°3 | 94 |
| Dimming type | On/Off, 1-10V, DALI |
| Product colours | Black, Dark Grey, White, Matt Silver, Bronze, Concrete - Urban, Softscape - Urban, Stone - Urban, Corten - Urban, Oak - Woodland, Walnut - Woodland, Pine - Woodland |
| Weight | 18.5 kg |

| | |
|---------------------------------------|---|
| Operating temperature | -20 °C to 40 °C |
| Cable | One IP68 connector supplied with 0.2 m of 3x1.0 sqmm outdoor cable |
| Through wiring | Single cable entry |
| Lens / Reflector / Optic | Clear toughened glass, White coated aluminium reflector on the top of luminaire |
| MacAdam Ellipse | 3 SDCM |
| Lifetime L90B10 (hours) | > 61,000 |
| Lifetime L80B10 (hours) | > 61,000 |
| Lifetime L80B50 (hours) | > 61,000 |
| Variants (On/Off, 1-10V, DALI) | Compatible with EN/ IEC 60598-2-22: Suitable for emergency installations as central supply, non-maintained (Z0) |



Accessories



DALI Control System
Control-DALI