

**LIGHTZONE 1 (LZ-10892)****Product description**

Ø258 - 885 mm - Tapered

**Luminaire Structure**

- Die-cast aluminium housing
- Extruded aluminium column
- Pre-treated before powder coating ensuring high corrosion resistance
- Single cable entry

- One IP68 connector supplied with 0.2 m of 3x1.0 sqmm outdoor cable
- Stainless steel fasteners in grade 304 with zinc flake coating (ZFC)
- Durable silicone rubber gasket
- High-efficiency optical reflector

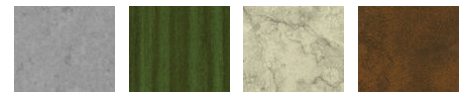
- Clear toughened glass
- Integral control gear

**Optic****G****Product colour**

01 - Black (RAL 9011)    02 - Dark Grey (RAL 7043)    03 - White (RAL 9003)    05 - Matt Silver (RAL 9006)



06 - Bronze (RAL 6014)

**Special finishes upon request**

SU01 - Concrete - Urban    SU02 - Softscape - Urban    SU03 - Stone - Urban    SU04 - Corten - Urban



SW01 - Oak - Woodland    SW02 - Walnut - Woodland    SW03 - Pine - Woodland

**LIGHTZONE 1 (LZ-10892)**

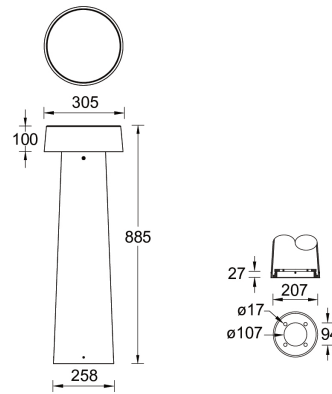
**Technical information**

<b>Material</b>	Aluminium
<b>Light source</b>	4 COB
<b>Power</b>	39 W
<b>Lumen</b>	2754 - 2814 lm
<b>Efficacy</b>	71 - 72 lm/W
<b>Driver option</b>	Integral control gear
<b>Driver</b>	Constant current (CC)
<b>Input voltage</b>	220-240 V 50/60 Hz
<b>Optic</b>	G

<b>Optic value</b>	360°
<b>CCT / CRI</b>	3000K CRI80, 4000K CRI80
<b>Bug</b>	B2-U0-G0
<b>ULR</b>	0%
<b>ULOR</b>	0%
<b>CIE flux code n°3</b>	100
<b>Dimming type</b>	On/Off, 1-10V, DALI
<b>Product colours</b>	Black, Dark Grey, White, Matt Silver, Bronze, Concrete - Urban, Softscape - Urban, Stone - Urban, Corten - Urban, Oak - Woodland, Walnut - Woodland, Pine - Woodland
<b>Weight</b>	9.2 kg

<b>Operating temperature</b>	-20 °C to 40 °C
<b>Cable</b>	One IP68 connector supplied with 0.2 m of 3x1.0 sqmm outdoor cable
<b>Through wiring</b>	Single cable entry
<b>Lens / Reflector / Optic</b>	High-efficiency optical reflector, Clear toughened glass
<b>MacAdam Ellipse</b>	3 SDCM
<b>Lifetime L90B10 (hours)</b>	> 55,000
<b>Variants (1-10V, DALI)</b>	Compatible with EN/ IEC 60598-2-22: Suitable for emergency installations as central supply, non-maintained (Z0)

LZ-10892



**Accessories**

