

LIGHTZONE 2 (LZ-10894)



Product description

Ø160 - 885 mm - Straight



Luminaire Structure

- Die-cast aluminium housing
- Extruded aluminium column
- Pre-treated before powder coating ensuring high corrosion resistance
- Single cable entry

- One IP68 connector supplied with 0.2 m of 3x1.0 sqmm outdoor cable
- Stainless steel fasteners in grade 304 with zinc flake coating (ZFC)
- Durable silicone rubber gasket
- High-efficiency optical reflector

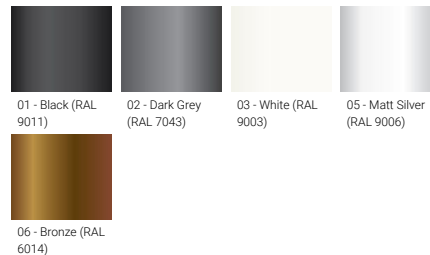
- Clear toughened glass
- Integral control gear

Optic

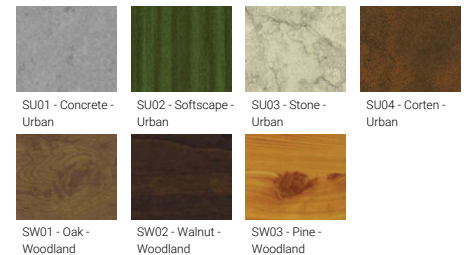


G

Product colour



Special finishes upon request

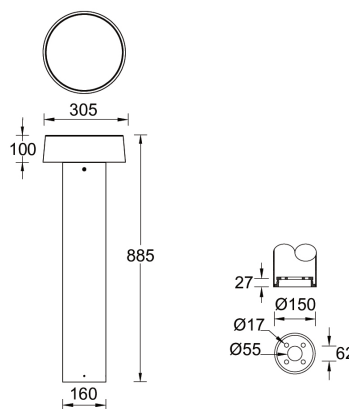


LIGHTZONE 2 (LZ-10894)

Technical information

Material	Aluminium	Optic	G	Product colours	Black, Dark Grey, White, Matt Silver, Bronze, Concrete - Urban, Softscape - Urban, Stone - Urban, Corten - Urban, Oak - Woodland, Walnut - Woodland, Pine - Woodland
Light source	4 COB	Optic value	360°	Weight	9.0 kg
Power	39 W	CCT / CRI	3000K CRI80, 4000K CRI80	Operating temperature	-20 °C to 40 °C
Lumen	2754 - 2814 lm	Bug	B2-U0-G0	Cable	One IP68 connector supplied with 0.2 m of 3x1.0 sqmm outdoor cable
Efficacy	71 - 72 lm/W	ULR	0%	Through wiring	Single cable entry
Driver option	Integral control gear	ULOR	0%	Lens / Reflector / Optic	High-efficiency optical reflector, Clear toughened glass
Driver	Constant current (CC)	CIE flux code n°3	100	Variants (1-10V, DALI)	Compatible with EN/ IEC 60598-2-22: Suitable for emergency installations as central supply, non-maintained (Z0)
Input voltage	220-240 V 50/60 Hz	Dimming type	On/Off, 1-10V, DALI		

LZ-10894



Accessories



Anchor bolt
A10291



DALI Control System
Control-DALI