

MALMO 4 (MAL-90143)



Product description

Down (Optic) & Up (Optic 2nd) - 980 mm - TW



Luminaire Structure

- Extruded aluminium bended profile with powder coating
- Stainless steel fasteners in grade 316
- Stainless steel, adjustable, suspension (1.5 m) complete with electrical wires in white for mounting
- PMMA diffuser with Opal (UGR <19) and micro prismatic (UGR <13) options for better glare control

- Up and down light distribution options
- Passive thermal management
- Integral control gear
- Wireless control available through Bluetooth connection

- Daylight and occupancy sensor options
- Emergency module (1 or 3 hours) is available upon request with 3 options (BASIC, SELF-TEST, PRO-DALI)

Product colour



01 - Black (RAL 9011) 03 - White (RAL 9003) 05 - Matt Silver (RAL 9006)

Special finishes upon request



SU01 - Concrete - Urban SU02 - Softscape - Urban SU03 - Stone - Urban SU04 - Corten - Urban



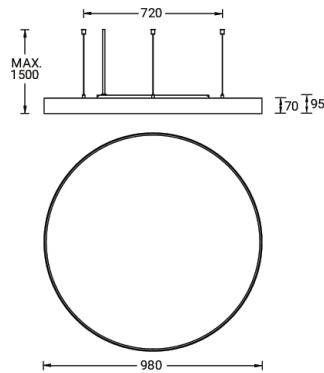
SW01 - Oak - Woodland SW02 - Walnut - Woodland SW03 - Pine - Woodland

MALMO 4 (MAL-90143)

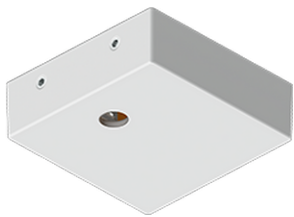
Technical information

Material	Aluminium	Input voltage	220-240 V 50/60 Hz	Dimming type	DALI
Light source	3744 & 588 LED	Optic	O, P	Product colours	Black, White, Matt Silver, Concrete - Urban, Softscape - Urban, Stone - Urban, Corten - Urban, Oak - Woodland, Walnut - Woodland, Pine - Woodland
Power	246 W	Optic value	107°, 94°		
Lumen	34792 lm	Optic (2nd)	0		
Driver option	Integral control gear	Optic (2nd) value	110°	Weight	13.9 kg
Driver	Constant current (CC)	CCT / CRI	TW (2700K - 6500K)	Operating temperature	-20 °C to 40 °C
				Variants (DALI)	Compatible with EN/ IEC 60598-2-22: Suitable for emergency installations as central supply, non-maintained (Z0)

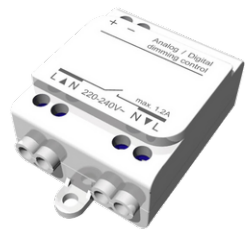
MAL-90143



Accessories



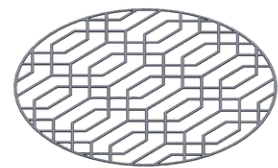
Supply cable surface mounting
box
A80981



Wireless bluetooth converter
A90291

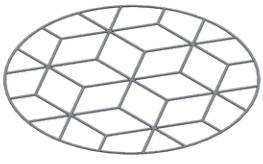


Xpress wireless switch
A90591

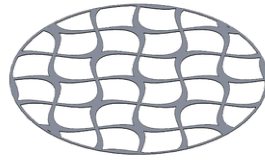


Decorative pattern - Type A for
MALMO 1000 mm
A91221

MALMO 4 (MAL-90143)



Decorative pattern - Type B for
MALMO 1000 mm
A92621



Decorative pattern - Type C for
MALMO 1000 mm
A94021



DALI Control System
Control-DALI
