

**MALMO 4 (MAL-90145)**



**Product description**

Down (Optic) & Up (Optic 2nd) - 980 mm - RGBW DMX



**Luminaire Structure**

- Extruded aluminium bended profile with powder coating
- Stainless steel fasteners in grade 316
- Stainless steel, adjustable, suspension (1.5 m) complete with electrical wires in white for mounting
- PMMA diffuser with Opal (UGR <19) and micro prismatic (UGR <13) options for better glare control

- Up and down light distribution options
- Passive thermal management
- Integral control gear
- Wireless control available through Bluetooth connection

- Daylight and occupancy sensor options
- Emergency module (1 or 3 hours) is available upon request with 3 options (BASIC, SELF-TEST, PRO-DALI)

**Product colour**



01 - Black (RAL 9011)    03 - White (RAL 9003)    05 - Matt Silver (RAL 9006)

**Special finishes upon request**



SU01 - Concrete - Urban    SU02 - Softscape - Urban    SU03 - Stone - Urban    SU04 - Corten - Urban



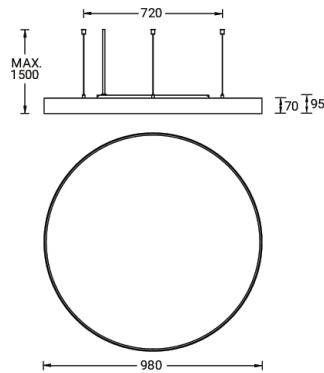
SW01 - Oak - Woodland    SW02 - Walnut - Woodland    SW03 - Pine - Woodland

**MALMO 4 (MAL-90145)**

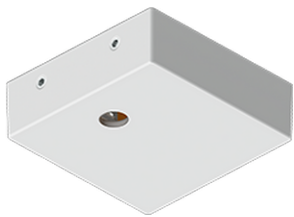
**Technical information**

<b>Material</b>	Aluminium	<b>Input voltage</b>	220-240 V 50/60 Hz	<b>Dimming type</b>	DMX, DMX/RDM
<b>Light source</b>	7488 & 588 LED	<b>Optic</b>	0, P	<b>Product colours</b>	Black, White, Matt Silver, Concrete - Urban, Softscape - Urban, Stone - Urban, Corten - Urban, Oak - Woodland, Walnut - Woodland, Pine - Woodland
<b>Power</b>	308 W	<b>Optic value</b>	107°, 94°		
<b>Lumen</b>	9388 lm	<b>Optic (2nd)</b>	0	<b>Weight</b>	13.9 kg
<b>Driver option</b>	Integral control gear	<b>Optic (2nd) value</b>	110°	<b>Operating temperature</b>	-20 °C to 40 °C
<b>Driver</b>	Constant current (CC)	<b>CCT / CRI</b>	RGBW30, RGBW40	<b>Variants (DMX/RDM)</b>	Compatible with EN/ IEC 60598-2-22: Suitable for emergency installations as central supply, non-maintained (Z0)

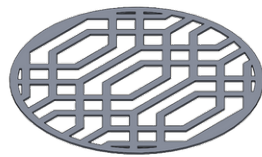
MAL-90145



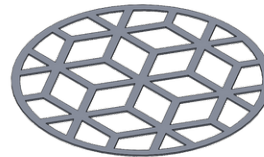
**Accessories**



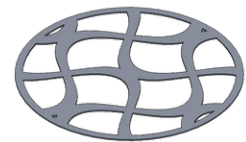
Supply cable surface mounting box  
**A80981**



Decorative pattern - Type A for MALMO 300 mm  
**A90821**



Decorative pattern - Type B for MALMO 300 mm  
**A92221**



Decorative pattern - Type C for MALMO 300 mm  
**A93621**

**MALMO 4** (MAL-90145)



DMX Control System  
**Control-DMX**



DMX/RDM Control System  
**Control-DMX-RDM**