

**MACARON 4 (MC-10002)**



**Product description**

Ø102 - 600 mm - 700 mA



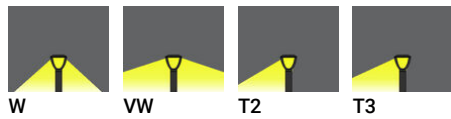
**Luminaire Structure**

- Die-cast aluminium housing and frame
- Pre-treated before powder coating ensuring high corrosion resistance
- Extruded aluminium column
- Customised dimensions are available as standard upon request

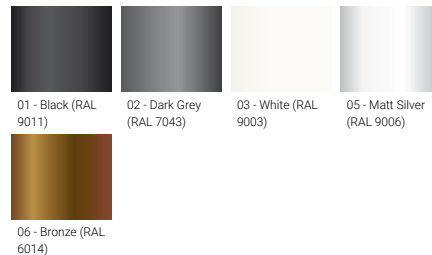
- Single cable entry
- One IP68 connector supplied with 0.2 m of 3x1.0 sqmm outdoor cable
- Stainless steel fasteners in grade 304 with zinc flake coating (ZFC)
- Durable silicone rubber gasket

- Clear toughened glass
- High-efficiency PMMA lens
- Integral control gear

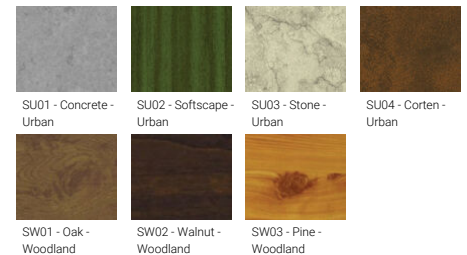
**Optic**



**Product colour**



**Special finishes upon request**



**MACARON 4 (MC-10002)**

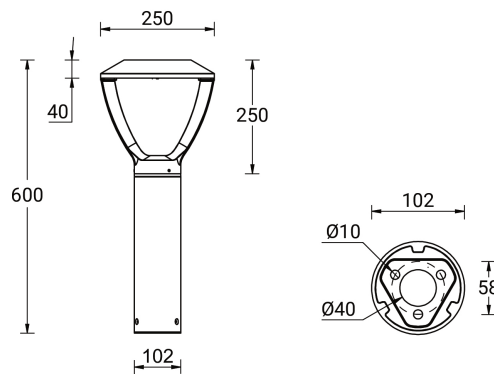
**Technical information**

|                      |                       |
|----------------------|-----------------------|
| <b>Material</b>      | Aluminium             |
| <b>Light source</b>  | 28 LED                |
| <b>Power</b>         | 31 W                  |
| <b>Lumen</b>         | 3264 - 3904 lm        |
| <b>Efficacy</b>      | 105 - 126 lm/W        |
| <b>Driver option</b> | Integral control gear |
| <b>Driver</b>        | Constant current (CC) |
| <b>Input voltage</b> | 220-240 V 50/60 Hz    |
| <b>Optic</b>         | W, VW, T2, T3         |

|                          |  |
|--------------------------|--|
| <b>Optic value</b>       | 77°x99°, 120°x140°, 122°x59°, 123°x59°   |
| <b>CCT / CRI</b>         | 3000K CRI80, 4000K CRI80   |
| <b>Bug</b>               | B1-U0-G1, B2-U0-G2   |
| <b>ULR</b>               | 0%   |
| <b>ULOR</b>              | 0%   |
| <b>CIE flux code n°3</b> | 95, 96, 97   |
| <b>Dimming type</b>      | On/Off, DALI   |
| <b>Product colours</b>   | Black, Dark Grey, White, Matt Silver, Bronze, Concrete - Urban, Softscape - Urban, Stone - Urban, Corten - Urban, Oak - Woodland, Walnut - Woodland, Pine - Woodland |
| <b>Weight</b>            | 4.1 kg   |

|                                 |   |
|---------------------------------|---|
| <b>Operating temperature</b>    | -20 °C to 40 °C   |
| <b>Cable</b>                    | One IP68 connector supplied with 0.2 m of 3x1.0 sqmm outdoor cable  |
| <b>Through wiring</b>           | Single cable entry  |
| <b>Lens / Reflector / Optic</b> | Clear toughened glass, High-efficiency PMMA lens  |
| <b>MacAdam Ellipse</b>          | 3 SDCM  |
| <b>Lifetime L90B10 (hours)</b>  | > 120,000   |
| <b>Lifetime L80B10 (hours)</b>  | > 120,000   |
| <b>Lifetime L80B50 (hours)</b>  | > 120,000   |
| <b>Variants (On/Off, DALI)</b>  | Compatible with EN/ IEC 60598-2-22: Suitable for emergency installations as central supply, non-maintained (Z0) |

**MC-10002**



**Accessories**



Anchor bolt  
**A10791**



DALI Control System  
**Control-DALI**