

**MACARON 2 (MC-20012-LC)**



**Product description**

LIGHTCONNECT™ - IP66



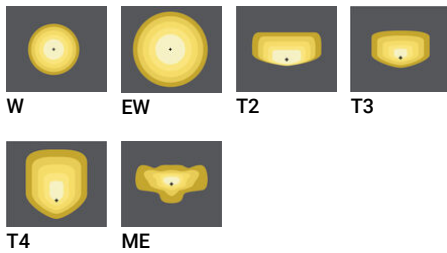
**Luminaire Structure**

- Die-cast aluminium housing and frame
- Pre-treated before powder coating ensuring high corrosion resistance
- Customised dimensions are available as standard upon request
- Single cable entry

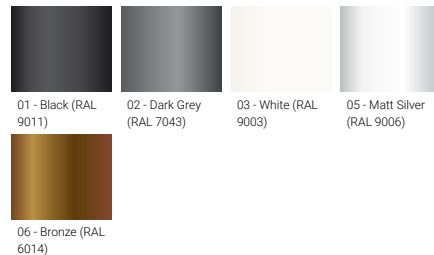
- One IP68 connector supplied with 0.2 m of 3x1.0 sqmm outdoor cable
- Stainless steel fasteners in grade 304 with zinc flake coating (ZFC)
- Durable silicone rubber gasket
- Clear toughened glass

- High-efficiency PMMA lens
- Integral control gear

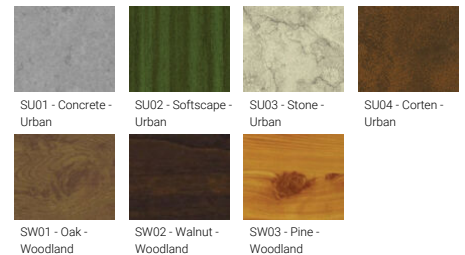
**Optic**



**Product colour**



**Special finishes upon request**



**MACARON 2 (MC-20012-LC)**

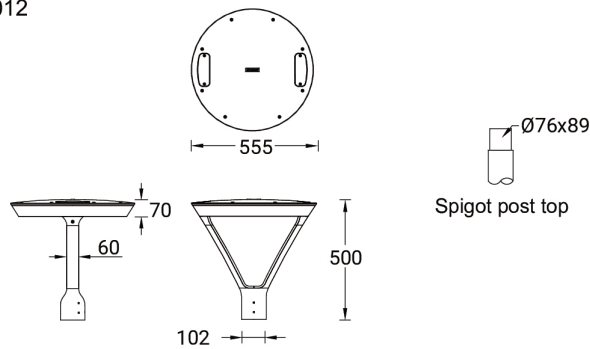
**Technical information**

<b>Material</b>	Aluminium
<b>Light source</b>	48 LED
<b>Power</b>	104 W
<b>Lumen</b>	12434 - 14374 lm
<b>Efficacy</b>	120 - 138 lm/W
<b>Driver option</b>	Integral control gear
<b>Driver</b>	Constant current (CC)
<b>Input voltage</b>	220-240 V 50/60 Hz

<b>Optic</b>	W, EW, T2, T3, T4, ME
<b>Optic value</b>	57°, 105°x115°, 136°x51°, 119°x86°, 102°x73°, 136°x58°
<b>CCT / CRI</b>	3000K CRI80, 4000K CRI80
<b>Bug</b>	B2-U0-G2, B3-U0-G1, B3-U0-G2, B4-U0-G1
<b>ULR</b>	0%
<b>ULOR</b>	0%
<b>CIE flux code n°3</b>	97, 98, 99
<b>Dimming type</b>	DALI

<b>Product colours</b>	Black, Dark Grey, White, Matt Silver, Bronze, Concrete - Urban, Softscape - Urban, Stone - Urban, Corten - Urban, Oak - Woodland, Walnut - Woodland, Pine - Woodland
<b>Weight</b>	13.5 kg
<b>Operating temperature</b>	-20 °C to 40 °C
<b>Cable</b>	One IP68 connector supplied with 0.2 m of 3x1.0 sqmm outdoor cable
<b>Through wiring</b>	Single cable entry
<b>Lens / Reflector / Optic</b>	Clear toughened glass, High-efficiency PMMA lens
<b>Variants (DALI)</b>	Compatible with EN/ IEC 60598-2-22: Suitable for emergency installations as central supply, non-maintained (Z0)

MACARON 2  
MC-20012



**Accessories**



Zhaga Book 18 socket (Up)  
**A90991-U**



NEMA 7 socket  
**A90891**



DALI Control System  
**Control-DALI**