

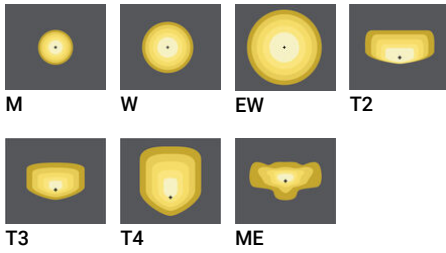
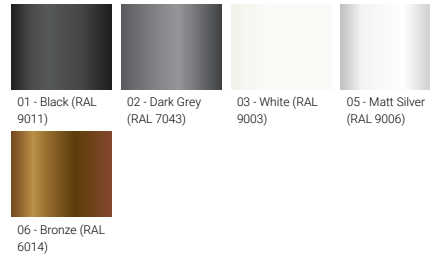
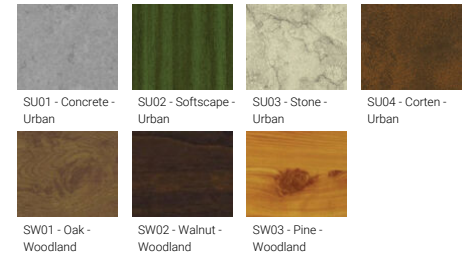
MACARON 2 (MC-20012-SO-40)**Product description**

Made to order for 40 W Vertical solar PV pole

**Luminaire Structure**

- Clear toughened glass
- High-efficiency PMMA lens

- Integral control gear

Optic**Product colour****Special finishes upon request**

MACARON 2 (MC-20012-SO-40)

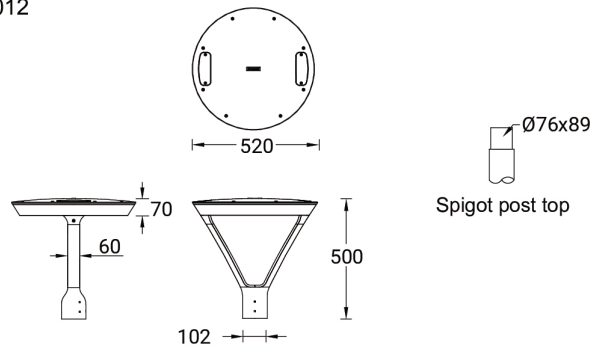
Technical information

Material	Aluminium
Light source	2 x 12 LED
Power	40 W
Lumen	4947 - 5719 lm
Efficacy	124 - 143 lm/W
Driver option	Integral control gear

Driver	Constant current (CC)
Input voltage	550 mA, 72 VDC
Optic	M, W, EW, T2, T3, T4, ME
Optic value	30°, 57°, 105°x115°, 136°x51°, 119°x86°, 102°x73°, 136°x58°
CCT / CRI	3000K CRI80, 4000K CRI80
Dimming type	Dusk to Dawn, 2 Step dimming with motion sensor override, Solar Custom

Product colours	Black, Dark Grey, White, Matt Silver, Bronze, Concrete - Urban, Softscape - Urban, Stone - Urban, Corten - Urban, Oak - Woodland, Walnut - Woodland, Pine - Woodland
Weight	13.5 kg
Operating temperature	-20 °C to 40 °C
Lens / Reflector / Optic	Clear toughened glass, High-efficiency PMMA lens

MACARON 2
MC-20012



Accessories



Remote solar charge controller for Solar Integrated Bollards and Vertical Solar PV poles
A92691



Vertical solar PV pole 1
SOL-20001



Vertical solar PV pole 2
SOL-20011



Vertical solar PV pole 6
SOL-20051



GPRS Module
A95591