

MACARON 2 (MC-20012)



Product description

IP66



Luminaire Structure

- Die-cast aluminium housing and frame
- Pre-treated before powder coating ensuring high corrosion resistance
- Customised dimensions are available as standard upon request
- Single cable entry

- One IP68 connector supplied with 0.2 m of 3x1.0 sqmm outdoor cable
- Stainless steel fasteners in grade 304 with zinc flake coating (ZFC)
- Durable silicone rubber gasket
- Clear toughened glass

- High-efficiency PMMA lens
- Integral control gear

Optic



W EW T2 T3



T4 ME

Product colour

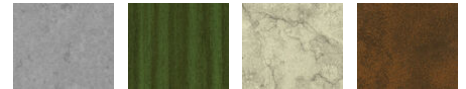


01 - Black (RAL 9011) 02 - Dark Grey (RAL 7043) 03 - White (RAL 9003) 05 - Matt Silver (RAL 9006)



06 - Bronze (RAL 6014)

Special finishes upon request



SU01 - Concrete - Urban SU02 - Softscape - Urban SU03 - Stone - Urban SU04 - Corten - Urban



SW01 - Oak - Woodland SW02 - Walnut - Woodland SW03 - Pine - Woodland

MACARON 2 (MC-20012)

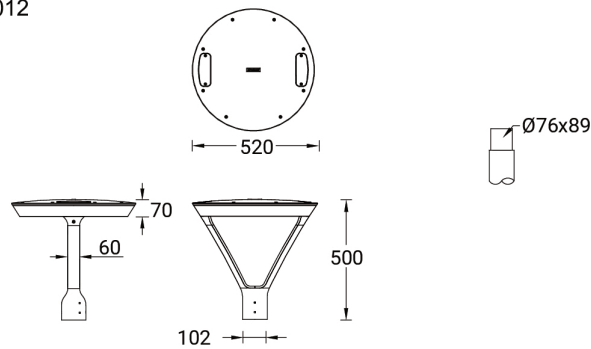
Technical information

| | |
|----------------------|-----------------------|
| Material | Aluminium |
| Light source | 48 LED |
| Power | 104 W |
| Lumen | 12434 - 14374 lm |
| Efficacy | 120 - 138 lm/W |
| Driver option | Integral control gear |
| Driver | Constant current (CC) |
| Input voltage | 220-240 V 50/60 Hz |

| | |
|--------------------------|--|
| Optic | W, EW, T2, T3, T4, ME |
| Optic value | 57°, 105°x115°, 136°x51°, 119°x86°, 102°x73°, 136°x58° |
| CCT / CRI | 3000K CRI80, 4000K CRI80 |
| Bug | B2-U0-G2, B3-U0-G1, B3-U0-G2, B4-U0-G1 |
| ULR | 0% |
| ULOR | 0% |
| CIE flux code n°3 | 97, 98, 99 |
| Dimming type | On/Off, 1-10V, DALI |

| | |
|---------------------------------------|--|
| Product colours | Black, Dark Grey, White, Matt Silver, Bronze, Concrete - Urban, Softscape - Urban, Stone - Urban, Corten - Urban, Oak - Woodland, Walnut - Woodland, Pine - Woodland |
| Weight | 13.5 kg |
| Operating temperature | -20 °C to 50 °C |
| Cable | One IP68 connector supplied with 0.2 m of 3x1.0 sqmm outdoor cable |
| Through wiring | Single cable entry |
| Lens / Reflector / Optic | Clear toughened glass, High-efficiency PMMA lens |
| Variants (On/Off, 1-10V, DALI) | Compatible with EN/ IEC 60598-2-22: Suitable for emergency installations as central supply, non-maintained (Z0) |

MC-20012



Accessories



DALI Control System
Control-DALI



Remote solar charge controller for Solar Integrated Bollards and Vertical Solar PV poles
A92691