

MACARON 2 (MC-20013)



Product description

IP66



Luminaire Structure

- Die-cast aluminium housing and frame
- Pre-treated before powder coating ensuring high corrosion resistance
- Customised dimensions are available as standard upon request
- Single cable entry

- One IP68 connector supplied with 0.2 m of 3x1.0 sqmm outdoor cable
- Stainless steel fasteners in grade 304 with zinc flake coating (ZFC)
- Durable silicone rubber gasket
- Clear toughened glass

- High-efficiency PMMA lens
- Integral control gear

Optic



W EW T2 T3



T4 ME

Product colour

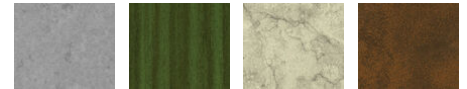


01 - Black (RAL 9011) 02 - Dark Grey (RAL 7043) 03 - White (RAL 9003) 05 - Matt Silver (RAL 9006)

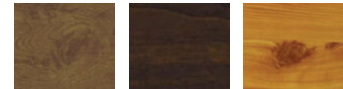


06 - Bronze (RAL 6014)

Special finishes upon request



SU01 - Concrete - Urban SU02 - Softscape - Urban SU03 - Stone - Urban SU04 - Corten - Urban



SW01 - Oak - Woodland SW02 - Walnut - Woodland SW03 - Pine - Woodland

MACARON 2 (MC-20013)

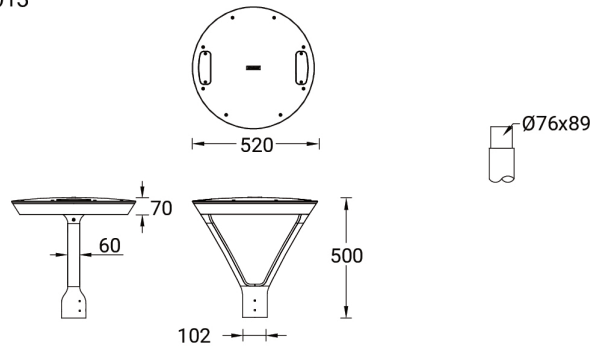
Technical information

Material	Aluminium
Light source	2 x 24 LED & 4 x 4LED
Power	158 W
Lumen	14248 - 16659 lm
Efficacy	90 - 105 lm/W
Driver option	Integral control gear
Driver	Constant current (CC)
Input voltage	220-240 V 50/60 Hz

Optic	W, EW, T2, T3, T4, ME
Optic value	57°, 105°x115°, 136°x51°, 119°x86°, 102°x73°, 136°x58°
CCT / CRI	3000K CRI80, 4000K CRI80
Bug	B2-U0-G2, B3-U0-G2, B3-U0-G3, B4-U0-G1
ULR	0%
ULOR	0%
CIE flux code n°3	97, 98, 99
Dimming type	On/Off, 1-10V, DALI

Product colours	Black, Dark Grey, White, Matt Silver, Bronze, Concrete - Urban, Softscape - Urban, Stone - Urban, Corten - Urban, Oak - Woodland, Walnut - Woodland, Pine - Woodland
Weight	13.5 kg
Cable	One IP68 connector supplied with 0.2 m of 3x1.0 sqmm outdoor cable
Through wiring	Single cable entry
Lens / Reflector / Optic	Clear toughened glass, High-efficiency PMMA lens
Variants (On/Off, 1-10V, DALI)	Compatible with EN/ IEC 60598-2-22: Suitable for emergency installations as central supply, non-maintained (Z0)

MC-20013



Accessories



DALI Control System
Control-DALI