

**MIC 3 (MI-50384)**



**Product description**

Medium - RGBW

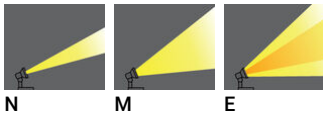


microPrim™

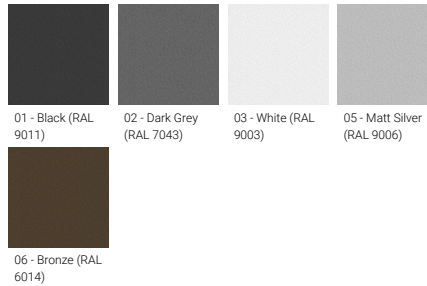
**Luminaire Structure**

- Die-cast aluminium housing
- Pre-treated before powder coating ensuring high corrosion resistance
- Single cable entry
- Stainless steel fasteners in grade 304 with zinc flake coating (ZFC)
- Durable silicone rubber gasket
- High-efficiency PMMA lens
- Clear toughened glass
- Integral control gear

**Optic**



**Product colour**



**Special finishes upon request**



**MIC 3 (MI-50384)**

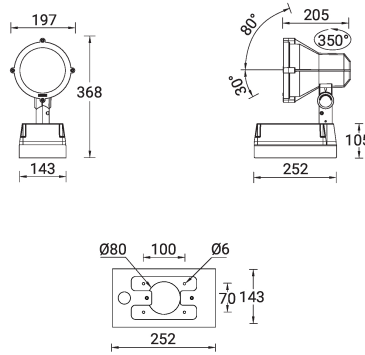
**Technical information**

|                      |                       |
|----------------------|-----------------------|
| <b>Material</b>      | Aluminium             |
| <b>Light source</b>  | 7 LED                 |
| <b>Power</b>         | 33 W                  |
| <b>Lumen</b>         | 1130 - 1536 lm        |
| <b>Efficacy</b>      | 34 - 47 lm/W          |
| <b>Driver option</b> | Integral control gear |
| <b>Driver</b>        | Constant current (CC) |
| <b>Input voltage</b> | 220-240 V 50/60 Hz    |

|                          |                     |
|--------------------------|---------------------|
| <b>Optic</b>             | N, M, E             |
| <b>Optic value</b>       | 20°, 35°, 26° x 48° |
| <b>CCT / CRI</b>         | RGBW30, RGBW40      |
| <b>Bug</b>               | B1-U0-G0            |
| <b>ULR</b>               | <1%                 |
| <b>ULOR</b>              | <1%                 |
| <b>CIE flux code n°3</b> | 100                 |
| <b>Dimming type</b>      | DMX, DMX/RDM        |

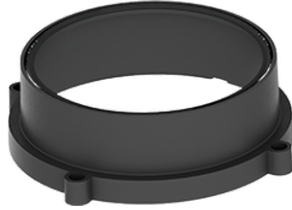
|                                 |  |
|---------------------------------|--|
| <b>Product colours</b>          | Black, Dark Grey, White, Matt Silver, Bronze, Concrete - Urban, Softscape - Urban, Stone - Urban, Corten - Urban, Oak - Woodland, Walnut - Woodland, Pine - Woodland |
| <b>Weight</b>                   | 3.7 kg   |
| <b>Operating temperature</b>    | -20 °C to 40 °C  |
| <b>EPA (m2)</b>                 | 0.053  |
| <b>Through wiring</b>           | Single cable entry   |
| <b>Lens / Reflector / Optic</b> | High-efficiency PMMA lens, Clear toughened glass   |
| <b>Variants (DMX/RDM)</b>       | Compatible with EN/ IEC 60598-2-22: Suitable for emergency installations as central supply, non-maintained (Z0)  |

MI-50384

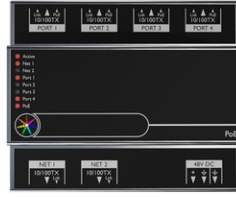


**Accessory**

Anti-glare visor  
**A50231**



Anti-glare hood  
**A51631**



PoE Connect  
**A64591**



Ground spike  
**A50441**



DMX Control System  
**Control-DMX**



DMX/RDM Control System  
**Control-DMX-RDM**

Please contact the factory for technical details if you wish to use Anti-glare accessories, Colour filters, Lenses and slip glasses in combination.