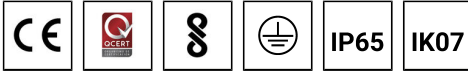


MIC 5 (MI-50393)



Product description

Large



microPrim™

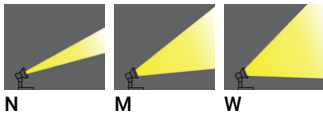
Luminaire Structure

- Die-cast aluminium housing
- Pre-treated before powder coating ensuring high corrosion resistance
- Single cable entry

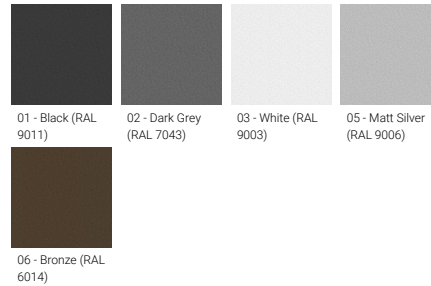
- Stainless steel fasteners in grade 304 with zinc flake coating (ZFC)
- Durable silicone rubber gasket
- High-efficiency PMMA lens

- Clear toughened glass
- Integral control gear

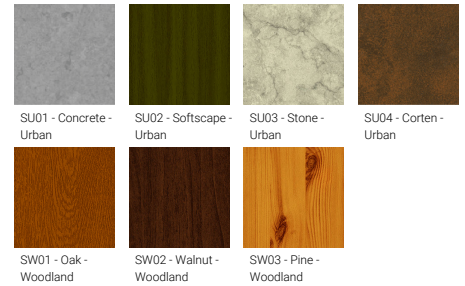
Optic



Product colour



Special finishes upon request



MIC 5 (MI-50393)

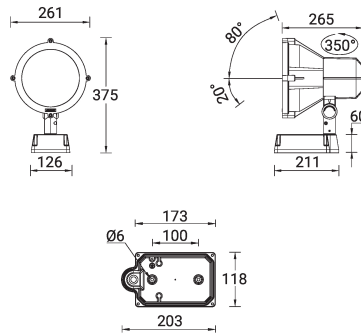
Technical information

Material	Aluminium
Light source	36 LED
Power	51 W
Lumen	5368 - 6140 lm
Efficacy	105 - 120 lm/W
Driver option	Integral control gear
Driver	Constant current (CC)
Input voltage	220-240 V 50/60 Hz

Optic	N, M, W
Optic value	16°, 26°, 41°
CCT / CRI	3000K CRI80, 4000K CRI80
Dimming type	On/Off, 1-10V, DALI
Product colours	Black, Dark Grey, White, Matt Silver, Bronze, Concrete - Urban, Softscape - Urban, Stone - Urban, Corten - Urban, Oak - Woodland, Walnut - Woodland, Pine - Woodland
Weight	5.7 kg
Operating temperature	-20 °C to 40 °C
EPA (m2)	0.023

Through wiring	Single cable entry
Lens / Reflector / Optic	High-efficiency PMMA lens, Clear toughened glass
MacAdam Ellipse	3 SDCM
Lifetime L90B10 (hours)	> 120,000
Lifetime L80B10 (hours)	> 120,000
Lifetime L80B50 (hours)	> 120,000
Variants (On/Off, 1-10V, DALI)	Compatible with EN/ IEC 60598-2-22: Suitable for emergency installations as central supply, non-maintained (Z0)

MI-50393



MIC 5 (MI-50393)**Accessory**



Anti-glare visor
A50331



Anti-glare hood
A51731



Ground spike
A50141



DALI Control System
Control-DALI

Please contact the factory for technical details if you wish to use Anti-glare accessories, Colour filters, Lenses and slip glasses in combination.