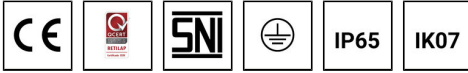


MIC 6 (MI-50431)



Product description

Large



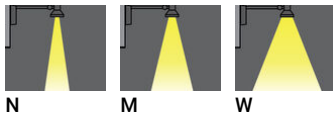
Luminaire Structure

- Die-cast aluminium housing with a chemical chromatised protection before powder coating, ensuring high corrosion resistance
- Single cable entry
- Through wiring on request

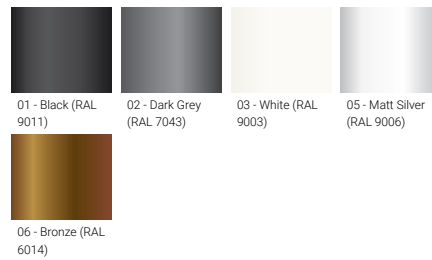
- Stainless steel fasteners in grade 316
- Durable silicone rubber gasket
- High-efficiency PMMA lens

- Clear toughened glass
- Integral control gear

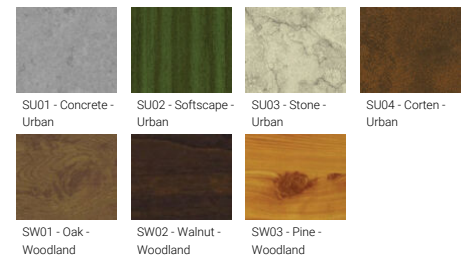
Optic



Product colour



Special finishes upon request

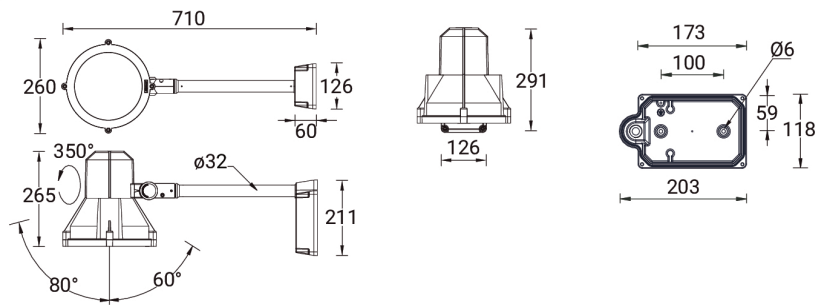


MIC 6 (MI-50431)

Technical information

Material	Aluminium	Optic	N, M, W	Lens / Reflector / Optic	High-efficiency PMMA lens, Clear toughened glass	
Light source	24 LED	Optic value	15°, 26°, 44°	MacAdam Ellipse	3 SDCM	
Power	38 W	CCT / CRI	3000K CRI80, 4000K CRI80	Lifetime L90B10 (hours)	> 120,000	
Lumen	3691 - 4272 lm	Dimming type	On/Off, 1-10V, DALI	Lifetime L80B10 (hours)	> 120,000	
Efficacy	97 - 112 lm/W	Product colours	Black, Dark Grey, White, Matt Silver, Bronze, Concrete - Urban, Softscape - Urban, Stone - Urban, Corten - Urban, Oak - Woodland, Walnut - Woodland, Pine - Woodland	Lifetime L80B50 (hours)	> 120,000	
Driver option	Integral control gear			Variants (1-10V, DALI)	Compatible with EN/ IEC 60598-2-22: Suitable for emergency installations as central supply, non-maintained (Z0)	
Driver	Constant current (CC)					
Input voltage	220-240 V 50/60 Hz	Weight	5.8 kg			
		Operating temperature	-20 °C to 40 °C			
		Through wiring	Single cable entry			

MI-50431



Accessories



Please contact the factory for technical details if you wish to use Anti-glare accessories, Colour filters, Lenses and slip glasses in combination.