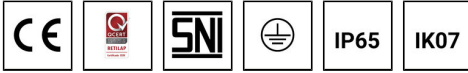


MIC 8 (MI-50451)



Product description

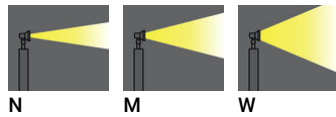
Medium



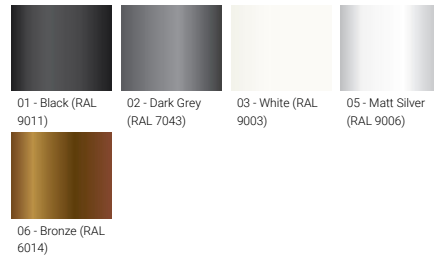
Luminaire Structure

- Die-cast aluminium housing pre-treated before powder coating ensuring high corrosion resistance
- Single cable entry
- Stainless steel fasteners in grade 316
- Durable silicone rubber gasket
- High-efficiency PMMA lens
- Clear toughened glass
- Integral control gear installed in the spigot cover

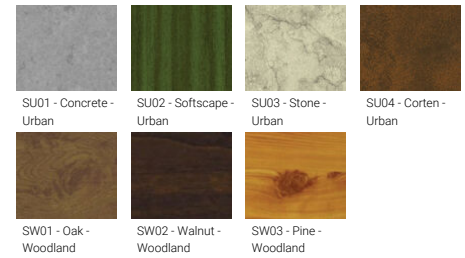
Optic



Product colour



Special finishes upon request



MIC 8 (MI-50451)

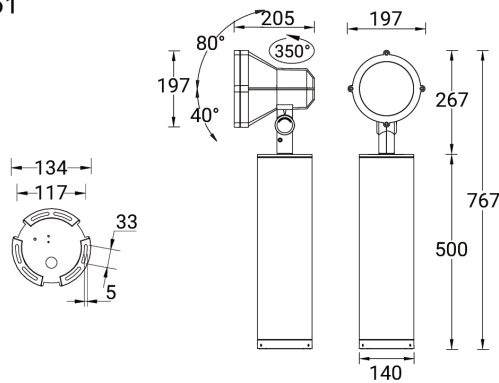
Technical information

Material	Aluminium
Light source	18 LED
Power	29 W
Lumen	2602 - 3081 lm
Efficacy	90 - 106 lm/W
Driver option	Integral control gear
Driver	Constant current (CC)
Input voltage	220-240 V 50/60 Hz

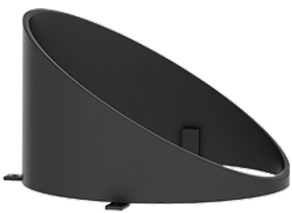
Optic	N, M, W
Optic value	16°, 28°, 41°
CCT / CRI	3000K CRI80, 4000K CRI80
Dimming type	On/Off, 1-10V, DALI
Product colours	Black, Dark Grey, White, Matt Silver, Bronze, Concrete - Urban, Softscape - Urban, Stone - Urban, Corten - Urban, Oak - Woodland, Walnut - Woodland, Pine - Woodland
Weight	4.9 kg
Operating temperature	-20 °C to 40 °C
Through wiring	Single cable entry

Lens / Reflector / Optic	High-efficiency PMMA lens, Clear toughened glass
MacAdam Ellipse	3 SDCM
Lifetime L90B10 (hours)	> 120,000
Lifetime L80B10 (hours)	> 120,000
Lifetime L80B50 (hours)	> 120,000
Variants (1-10V)	Compatible with EN/ IEC 60598-2-22: Suitable for emergency installations as central supply, non-maintained (Z0)

MI-50451



Accessories



Anti-glare visor
A50231



Anti-glare hood
A51631

Please contact the factory for technical details if you wish to use Anti-glare accessories, Colour filters, Lenses and slip glasses in combination.